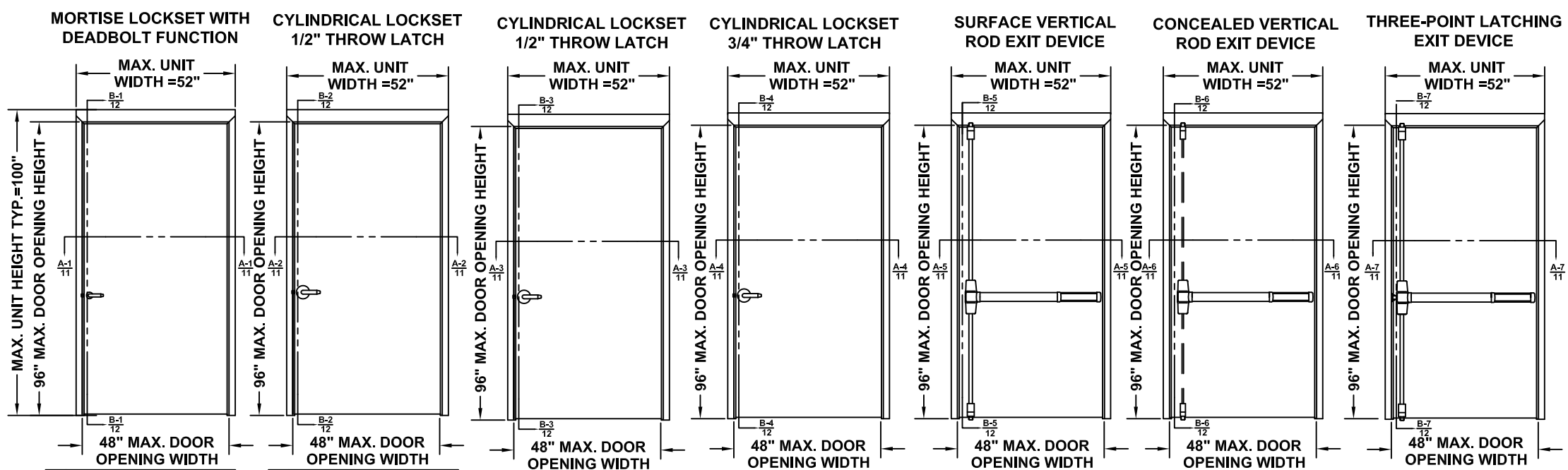
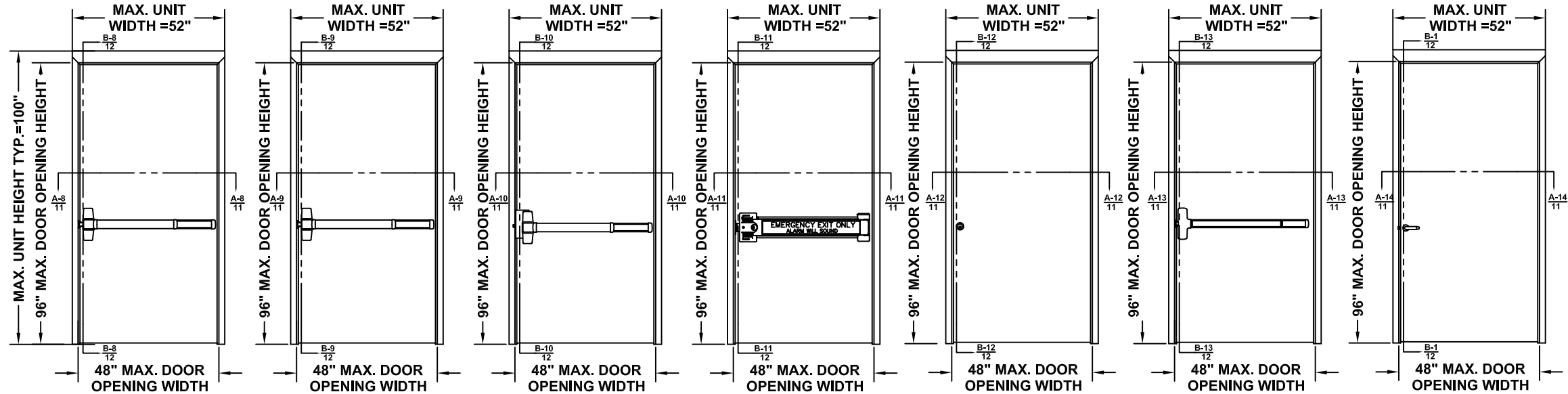


REVISIONS

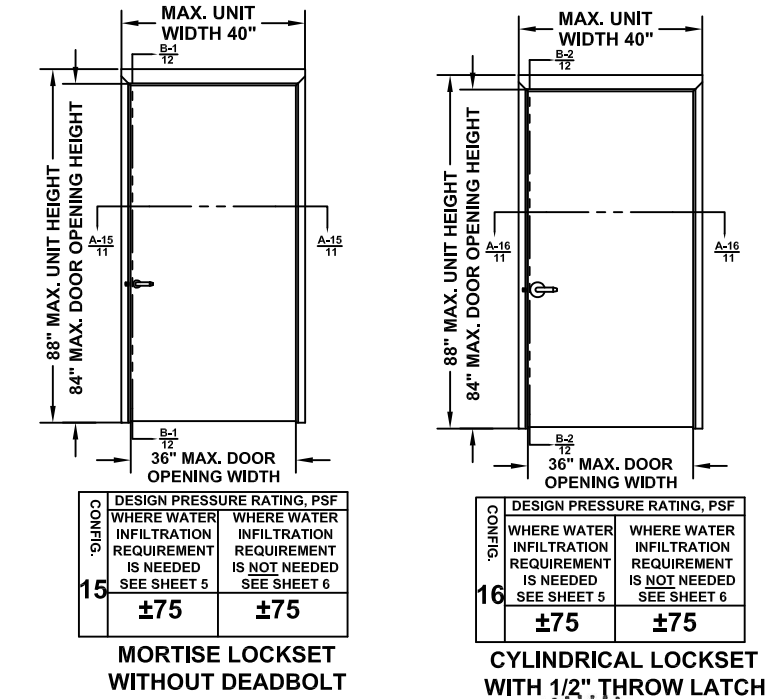
LTR	DESCRIPTION	DATE	APPROVED
A	APPROVAL DWG	YMF	05/20/07
E	REVISED DWG	YMF	03/31/08
F	REVISED DWG	YMF	06/02/08
G	REVISED DWG	YMF	01/20/10
H	REVISED DWG	YMF	04/07/10
J	REVISED NAME	JPD	11/01/13
K	REVISED DWG	JPD	02/01/15
L	ENGINEER CHANGE	AM	12/01/16
N	REVISED DWG	JPD	07/18/18



CONFIG.	DESIGN PRESSURE RATING, PSF WHERE WATER INFILTRATION REQUIREMENT IS NEEDED SEE SHEET 5	DESIGN PRESSURE RATING, PSF WHERE WATER INFILTRATION REQUIREMENT IS NOT NEEDED SEE SHEET 6
1	±75	±75
2	±55	±55
3	±65	±65
4	±75	±75
5	±70	±70
6	±70	±70
7	±70	±70



CONFIG.	DESIGN PRESSURE RATING, PSF WHERE WATER INFILTRATION REQUIREMENT IS NEEDED SEE SHEET 5	DESIGN PRESSURE RATING, PSF WHERE WATER INFILTRATION REQUIREMENT IS NOT NEEDED SEE SHEET 6
8	±70	±70
9	±75	±100
10	±70	±70
11	±55	±55
12	±60	±60
13	+70/-55	+70/-55
14	±60	±60



CONFIG.	DESIGN PRESSURE RATING, PSF WHERE WATER INFILTRATION REQUIREMENT IS NEEDED SEE SHEET 5	DESIGN PRESSURE RATING, PSF WHERE WATER INFILTRATION REQUIREMENT IS NOT NEEDED SEE SHEET 6
15	±75	±75
16	±75	±75

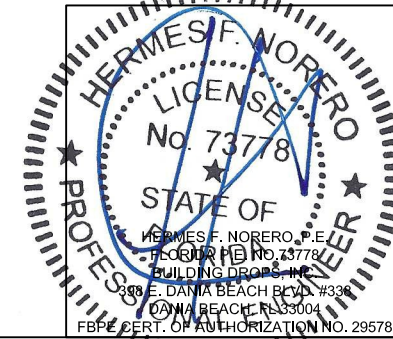
COMPLIANCE STATEMENT:

1. THESE PRODUCTS HAVE BEEN TESTED TO HVHZ PROTOCOLS TAS 201, 202 & 203-94, ASTM PROTOCOLS E283-04, E330-02 AND E331-00, AND COMPLY WITH THE CURRENT EDITION OF THE FLORIDA BUILDING CODE.

NOTES:

- INTERIOR VIEWS ARE SHOWN FOR ALL ELEVATIONS
- SEE TABLE 1 ON SHEET 2 FOR HARDWARE APPLICATIONS AND LIMITATIONS
- SEE SHEETS 3 & 14 FOR HINGE REQUIREMENTS AND OPTIONS
- SEE SHEET 4 FOR ANCHORING TYPES AND LIMITATIONS. SEE SHEETS 3, 5 AND 6 FOR SILL INSTALLATION DETAILS & CAULKING.
- SEE SHEET 5 TABLES 3.1 AND 3.2 FOR WATER RATED THRESHOLD AND WEATHERSTRIPPING INSTALLATION AND LIMITATIONS
- SEE SHEET 6 TABLES 4.1 AND 4.2 FOR NON WATER RATED THRESHOLD AND WEATHERSTRIPPING INSTALLATION AND LIMITATIONS
- ALL CONFIGURATIONS MEET LARGE AND SMALL MISSILE IMPACT REQUIREMENTS - LARGE MISSILE IMPACT AT (50 F/S)

BEND RADIUS		SCHLAGE LOCK COMPANY, LLC 11819 N. PENNSYLVANIA STREET CARMEL, IN 46032	
THIRD ANGLE PROJECTION		TITLE: STEELCRAFT H SERIES SINGLE FLUSH OUTSWING COMMERCIAL STEEL DOORS WITH AND WITHOUT PANIC EXIT DEVICES	
DRAWN YMF	DATE 05/20/07	FLORIDA BUILDING COMMISSION PRODUCT APPROVAL FLUSH OUTSWING DOORS AND HARDWARE CONFIGURATIONS COMMERCIAL DOOR OPENING SINGLE FLUSH DOORS.	
CHECKED		SIZE FLAT	DWG NO. IRFS07
APPROVED		SCALE: NTS	AUTOCAD
ENG. APPVL JPD	10/11/07		SHEET 1 of 14

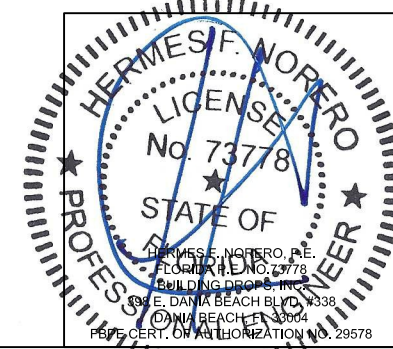


Door Configuration	Maximum Design Pressure, PSF		Maximum Door Opening Size, in.		Locking Hardware Description				Comments
	Positive	Negative	Width	Height	Hardware Family	Model/Series	Strike Models	Brand	
1	75	75	48	96	Mortise Lock	L/LV9400, AD-MD, CO-MD	10-072	Schlage	Functions with deadbolt, 3/4" min. throw latch & 1" min. throw deadbolt
	75	75	48	96	Mortise Lock	LE-MD	10-072	Schlage	
	75	75	48	96	Mortise Lock	MA	ANSI	Falcon	
2	55	55	48	96	Cylindrical Lock	AL	10-025	Schlage	1/2" throw latch
3	65	65	48	96	Cylindrical Lock	D, ND, NDE, AD-CY CO-CY	10-025	Schlage	1/2" throw latch
4	75	75	48	96	Cylindrical Lock	D, ND, NDE, AD-CY CO-CY	10-025	Schlage	3/4" throw latch
	75	75	48	96	Cylindrical Lock	T	ANSI	Falcon	3/4" throw latch
5	70	70	48	96	Surface Vertical Rod Exit Device	98/9927 & 98/9927-F	299F/499F Top, 304L/248L4 Bottom	Von Duprin	
	70	70	48	96	Surface Vertical Rod Exit Device	F-25-V & 25-V	3788 Top, 2130 Bottom	Falcon	
6	70	70	48	96	Concealed Vertical Rod Exit Device	98/9947-F & HH98/9947	338 Top, 385A or 304L Bottom	Von Duprin	HH98/9947 device has a 2-3/4" backset
	70	70	48	96	Concealed Vertical Rod Exit Device	F-25-C	4188 Top, 2130 Bottom	Falcon	
7	70	70	48	96	Three-Point Latching Device	98/9957 & 98/9957-F	299F/499F Top/Middle, 304L/248L4 Bottom	Von Duprin	
8	70	70	48	96	Rim Exit Device	98/99 & 98/99-F	299F/499F	Von Duprin	
	70	70	48	96	Rim Exit Device	88-F	268	Von Duprin	
9	75/100 SEE NOTE 2.	75/100 SEE NOTE 2.	48	96	Rim Exit Device	XP98/99 & XP98/99-F	909/954	Von Duprin	
10	70	70	48	96	Mortise Exit Device	98/9975 & 98/9975-F	575	Von Duprin	
	70	70	48	96	Mortise Exit Device	8875 & 8875-F	575	Von Duprin	
	70	70	48	96	Mortise Exit Device	F-25-M & 25-M	1279	Falcon	
11	55	55	48	96	Exit Alarm Lock	2670 GUARD-X	267	Von Duprin	
12	60	60	48	96	Cyl. Deadlock	B600/700/800	10-055	Schlage	1" min. throw deadbolt
13	70	55	48	96	Rim Exit Device	F-25-R & 25-R	299F/499F	Falcon	
14	60	60	48	96	Mortise Lock	L/LV9000, AD-MS, CO-MS, LE-MS	10-072	Schlage	Functions without deadbolt, 3/4" min. throw latch
15	75	75	36	84	Mortise Lock	L/LV9000, AD-MS, CO-MS, LE-MS	10-072	Schlage	Functions without deadbolt, 3/4" min. throw latch
	75	75	36	84	Mortise Lock	MA	ANSI	Falcon	
16	75	75	36	84	Cylindrical Lock	D, ND, NDE, AD-CY CO-CY	10-025	Schlage	1/2" throw latch
	75	75	36	84	Cylindrical Lock	T	ANSI	Falcon	

TABLE 1.

- NOTES:**
- SEE SHEETS 8, 9 & 10 FOR LOCKING HARDWARE.
 - DOOR CONFIGURATION 9 IS RATED FOR MAXIMUM DESIGN PRESSURE UP TO ±75 PSF WITH ZERO INT'L THRESHOLD 11A OR FOR DOOR OPENINGS UP TO 3'-0"X7'-0" WITH NGP THRESHOLD 11B AND ±50 PSF FOR DOOR OPENINGS UP TO 4'-0"X8'-0" WITH NGP THRESHOLD 11B WHEN WATER IN FILTRATION REQUIREMENT IS NEEDED. SEE SHEET 5.
 - DOOR CONFIGURATION 9 IS RATED FOR A MAXIMUM DESIGN PRESSURE UP TO ±75 PSF WITH ZERO INT'L THRESHOLD OPTIONS AND UP TO ±100 PSF WITH THE NGP THRESHOLD OPTIONS WHEN WATER INFILTRATION REQUIREMENT IS NOT NEEDED. SEE SHEET 6
 - SCHLAGE AL-SERIES CYLINDRICAL LOCK, DOOR CONFIGURATION 2, IS LIMITED TO ±55 PSF MAXIMUM DESIGN PRESSURE

R E V I S I O N S				
LTR	DESCRIPTION	DATE	APPROVED	
A	APPROVAL DWG	YMF	05/20/07	
B	REVISED DWG	RAP	10/11/07	
C	REVISED DWG	RAP	12/10/07	
D	REVISED DWG	YMF	01/04/08	
E	REVISED DWG	YMF	03/31/08	
F	REVISED DWG	YMF	06/02/08	
G	REVISED DWG	YMF	03/03/09	
H	REVISED DWG	YMF	04/07/10	
J	REVISED NAME	JPD	11/01/13	
K	REVISED DWG	JPD	02/01/15	
L	ENGINEER CHANGE	AM	12/01/16	
N	REVISED DWG	JPD	07/18/18	



BEND RADIUS		SCHLAGE LOCK COMPANY, LLC 11819 N. PENNSYLVANIA STREET CARMEL, IN 46032	
 THIRD ANGLE PROJECTION		TITLE: STEELCRAFT H SERIES SINGLE FLUSH OUTSWING COMMERCIAL STEEL DOORS WITH AND WITHOUT PANIC EXIT DEVICES	
DRAWN YMF	DATE 05/20/07	FLORIDA BUILDING CODE PRODUCT APPROVAL FLUSH OUTSWING DOORS AND HARDWARE CONFIGURATIONS COMMERCIAL DOOR OPENING SINGLE FLUSH DOORS.	
CHECKED		SIZE	FLAT
APPROVED		DWG NO.	IRFS07
ENG. APPVL JPD	10/11/07	SCALE:	NTS AUTOCAD
		SHEET	2 of 14

REVISIONS

LTR	DESCRIPTION	DATE	APPROVED
C	REVISED DWGS. RAP	12/10/07	
E	REVISED DWGS. YMF	03/24/08	
F	REVISED DWGS. YMF	06/02/08	
G	REVISED DWGS. YMF	03/03/09	
H	REVISED DWGS. YMF	04/07/10	
J	REVISED NAME JPD	11/01/13	
K	REVISED DWG JPD	02/01/15	
L	ENGINEER CHANGE AM	12/01/16	
N	REVISED DWG JPD	07/18/18	

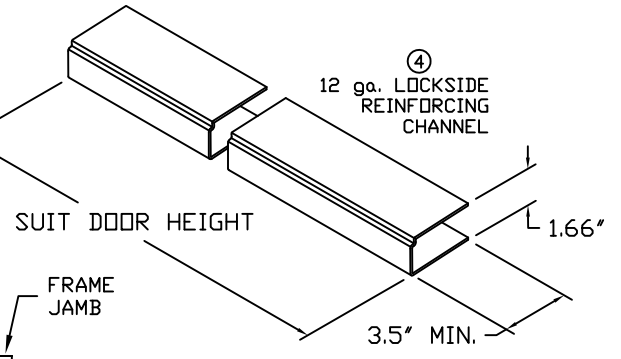
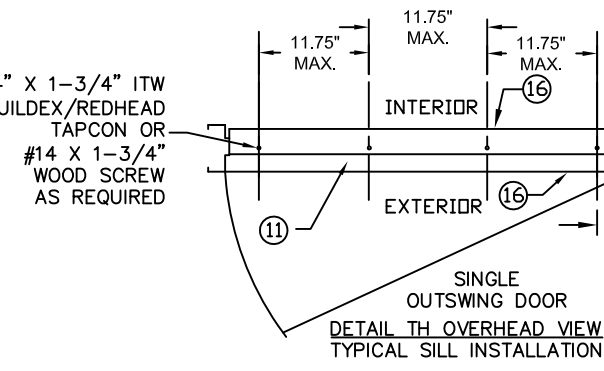
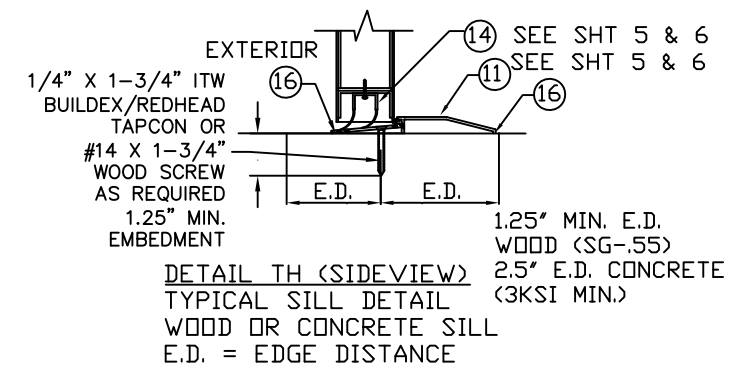
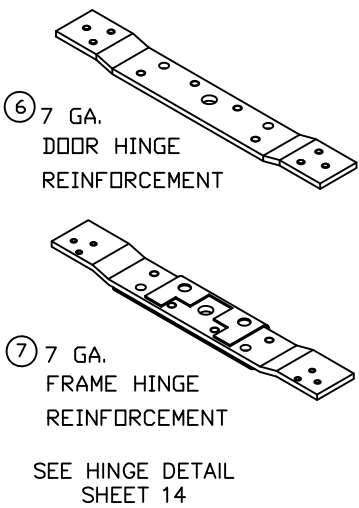
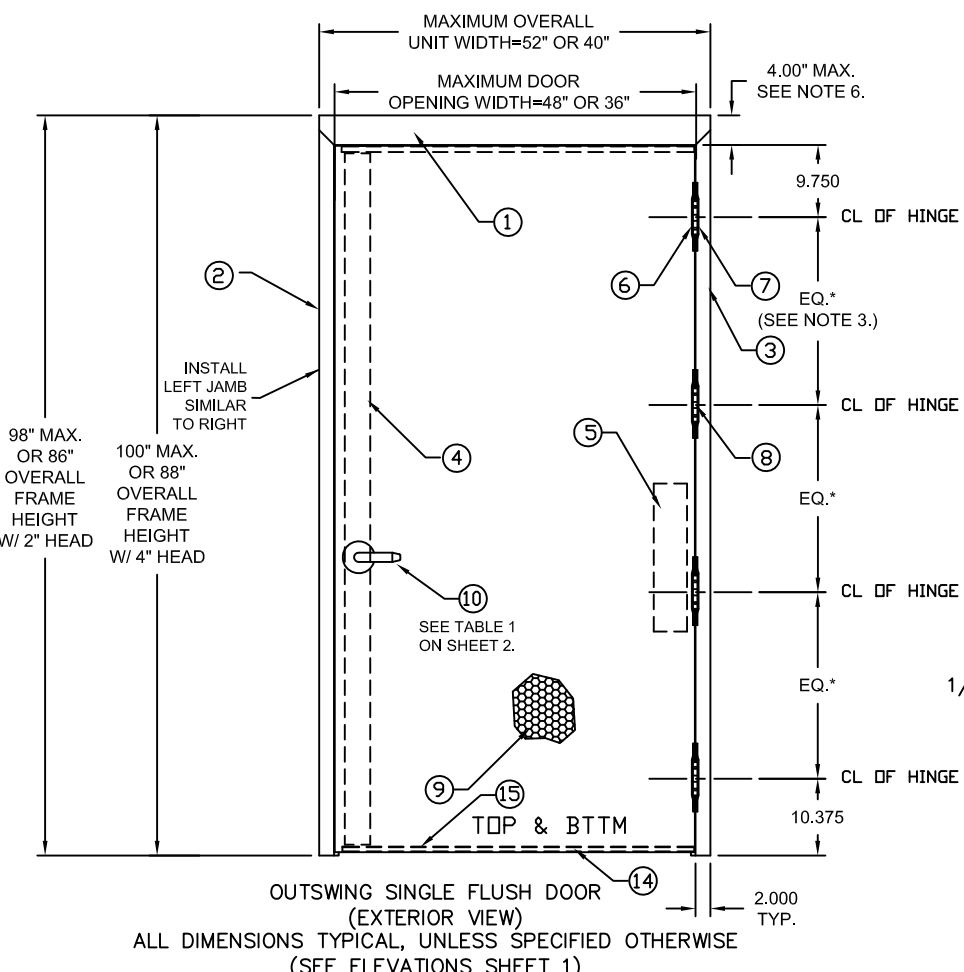
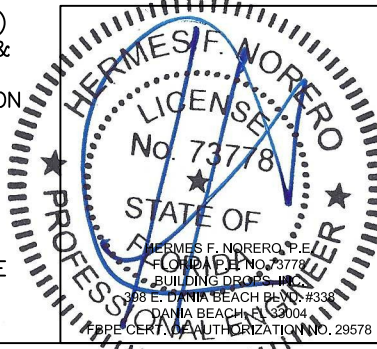


TABLE 2.

QUANTITY	DESCRIPTION	MATERIAL	SIZE
1	HEAD SEE SHT 7 ASTM A366	.053" MIN. STL	MAX. 52"
2	STRIKE JAMB SEE SHT. 7 ASTM A366	.053" MIN. STL	MAX. 100"
3	HINGE JAMB SEE SHT 7 ASTM A366	.053" MIN. STL	MAX. 100"
4	LOCK SIDE REINFORCEMENT CHANNEL	.093" MIN. STL	3.5 X 93.44 MAX
5	HINGE SIDE PANIC REINFORCEMENT	.067" MIN. STL	MAX. 20"
6	HINGE REINFORCEMENT DOOR ASTM A621	.167" MIN. STL.	1.23" X 9.19" MIN.
7	HINGE REINFORCEMENT FRAME ASTM A621	.167" MIN. STL.	1.5" X 9.187" MIN.
8	NOTE 2. 4.5" X 4.5" BUTT HINGES OPTIONAL CONTINUOUS HINGE	.134" MIN. STL. .075" MIN. STL/.110 ALUM	(8) #12-24 MS PER HINGE MAX. 95"
9	1 CORE MATERIAL (SHT. 13): D) HONEYCOMB C) STEEL STIFFENED A/F) POLYSTYRENE B/F) POLYURETHANE/POLYISOCYANURATE		
10	1 LOCKING HARDWARE - SEE SHEET 2, TABLE 1 THRESHOLD SILL W/BUMPER GASKET		
11	1 11A) 566 ZERO SEE SHT. 5 WATER RATED & 6 NON-WATER 11B) 950 NGP SEE SHT. 5 WATER RATED & 6 NON-WATER 11C) 65 ZERO SEE SHT. 6 NON-WATER RATED 11D) 568 ZERO SEE SHT. 6 NON-WATER RATED	.125" ALUM. 6063 T5 .078" ALUM. 6063 T5 .125" ALUM. 6063 T5 .125" ALUM. 6063 T5	5.0"X0.5"X48"MAX. 6.0"X0.5"X48"MAX.
12	NOTE 2. JAMB ANCHOR ASTM A924	SEE SHEET 4	
13	SEE SHEET 7 13A) PS074 DOOR SEAL STEELCRAFT 13B)188S, 13C)117S, 13D)8144S, 13E)8150S DOOR SEAL ZERO	TPE SILICONE	MAX. 20'
14	1 FAS-SEAL DOOR SWEEP SEE SHEETS 5 & 6	TPE	MAX. 48"
15	2 END CHANNEL ASTM A924 (14 GA - INVERTED)	.067" MIN. STEEL	.69" X 1.66" X 48" MAX.
16	AS NEEDED CAULK - BUTYL RUBBER OR 100% SILICONE	SEE SHEETS 5 & 6	
17	1 DOOR SLAB (16 OR 14 GA)	SEE SHEET 7	4' X 8' MAX.
18	1 18A) 188S DOOR SEAL BY ZERO INT'L 18B) PS074 DOOR SEAL BY STEELCRAFT	SILICONE SEE SHEET 5 TPE SEE SHEET 5	MAX. 20'
19	2 202N DOOR SEAL BY NGP	TPE SEE SHEET 5	MAX. 96"
20	1 20A) 139 DOOR SWEEP BY ZERO INT'L 20B) 328 DOOR SWEEP BY ZERO INT'L 20C) 200N DOOR SWEEP BY NGP	SEE SHEET 5	MAX. 48"
21	3 21A) 475 ADJUSTABLE SEAL BY ZERO INT'L 1 21B) 170N ADJUSTABLE SEAL BY NGP	TPE SEE SHEET 5	MAX. 96"
22	1 22A) 142 RAIN DRIP BY ZERO INT'L 22B) 11 RAIN DRIP BY ZERO INT'L 22C) 16A RAIN DRIP BY NGP	SEE SHEET 5	MAX. 52"
23	1 TOP CAP GALV. A60 ASTM A924	.020" MIN. STL	0.5" X 1.76" X 48" MAX.
24	1 IVES 698/U698 DOOR VIEWER	BRASS	

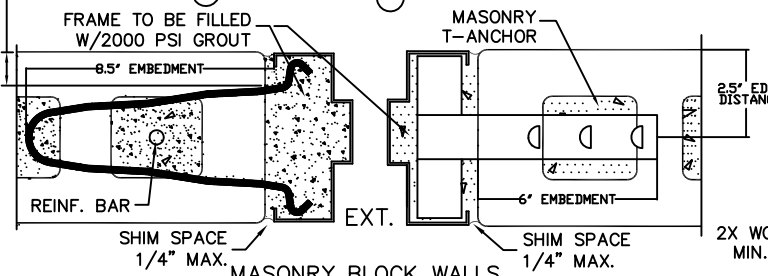
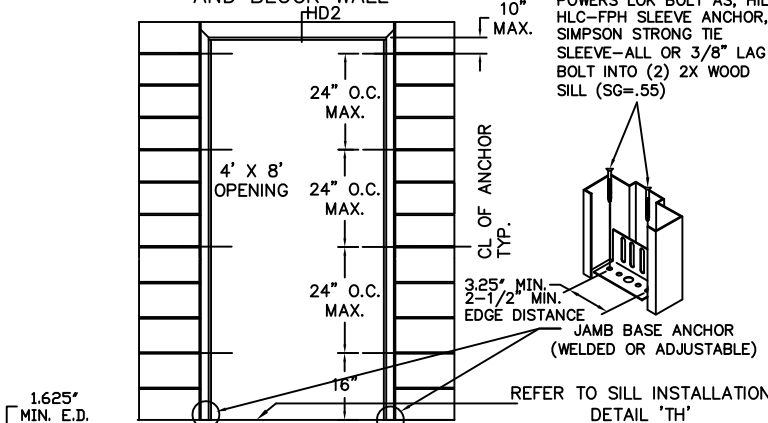
NOTES:

1. ANCHOR REQUIREMENTS:
SEE SHEET 4 FOR APPROVED ANCHORS AND INSTALLATION.
2. HINGE REQUIREMENTS: 4.5" STD WT. MIN.
FOR DOOR OPENING UP TO 90" HIGH - MIN (3) HINGES
FOR DOOR OPENING OVER 90" - 96" HIGH - MIN (4) HINGES
STD LOCATIONS: 9.75" FROM RABBET IN HEAD TO CL OF TOP HINGE
10.38" FROM FLOOR TO CL OF BOTTOM HINGE, EQUALLY SPACED
IN BETWEEN. HINGE LOCATIONS MAY VARY, MAX SPACING DO NOT EXCEED 35.5" FOR 3 HINGES.
SEE SHEET 14 FOR APPROVED CONTINUOUS HINGE MODELS
3. SEE SHEETS 1, 2 & 3 FOR AVAILABLE STANDARD OPENING SIZES AND SPECIFICATIONS.
4. HARDWARE INSTALLATION AS PER MANUFACTURER'S INSTRUCTIONS.
5. 4" FACE FRAME HEAD IS AVAILABLE. SEE SHEET 4
6. APPLY CAULK TO FULL LENGTH OF SILL AND ENTIRE PERIMETER OF FRAME. SEE SHEETS 5 & 6
7. WEATHERSTRIPPING:
- WHEN WATER INFILTRATION IS REQUIRED INSTALL PER SHEET 5. (ZERO INTL 566 VS NGP 950)
- WHEN WATER INFILTRATION IS NOT REQUIRED - INSTALL PER SHEET 6. (ZERO INTL 566, 65 & 568 VS NGP 950)
8. SEE SHEET 11 FOR HORIZONTAL CROSS SECTION A-A, SEE SHEET 12 FOR VERTICAL CROSS SECTION B-B.
9. TYPICAL SILL INSTALLATION SHALL BE ANCHORED PER OVERHEAD AND SIDEVIEW VIEW TH DETAILS ON THIS SHEET.
10. ELECTRICAL INSTALLATION AND FIRE RATINGS ARE UNDER SEPARATE APPROVAL AND MUST BE REVIEWED BY CORRESPONDING AUTHORITY.
11. OPTIONAL POWER TRANSFERS, MONITORING SWITCHES, SUPPLEMENTAL MAGNETIC LOCKS MAY BE USED AS ALLOWED BY CODE AND IT DOES NOT EFFECT THE MECHANICAL PROPERTIES OF EXIT DEVICE OR LOCK AND/OR INHIBIT EGRESS; TO BE REVIEWED BY THE BUILDING OFFICIAL.

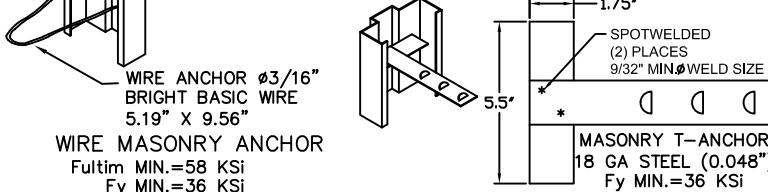


BEND RADIUS		SCHLAGE LOCK COMPANY, LLC 11819 N. PENNSYLVANIA STRET CARMEL, IN 46032	
THIRD ANGLE PROJECTION		TITLE: STEELCRAFT H SERIES SINGLE FLUSH OUTSWING COMMERCIAL STEEL DOORS WITH AND WITHOUT PANIC EXIT DEVICES FLORIDA BUILDING COMMISSION PRODUCT APPROVAL H-SERIES FLUSH SINGLE DOORS (OUTSWING)	
DRAWN YMF	DATE 05/20/07		
CHECKED		SIZE	FLAT
APPROVED		DWG NO.	IRFS07
ENG. APPVL JPD	10/11/07	SCALE:	NTS AUTOCAD
		SHEET	3 of 14

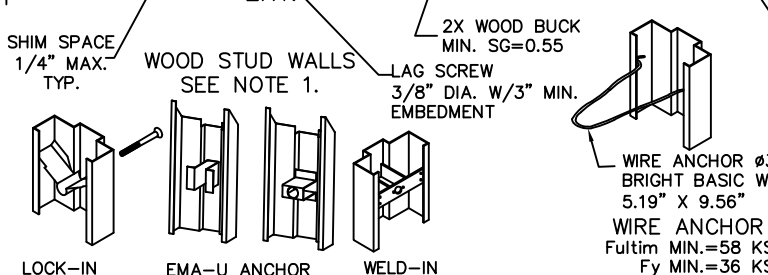
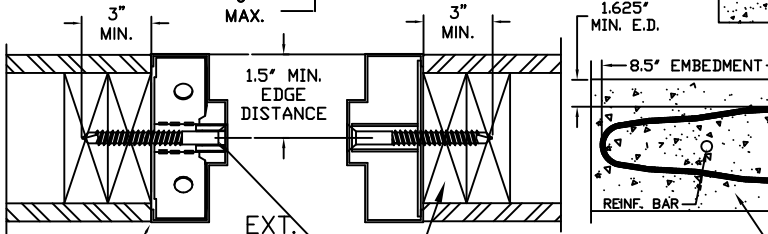
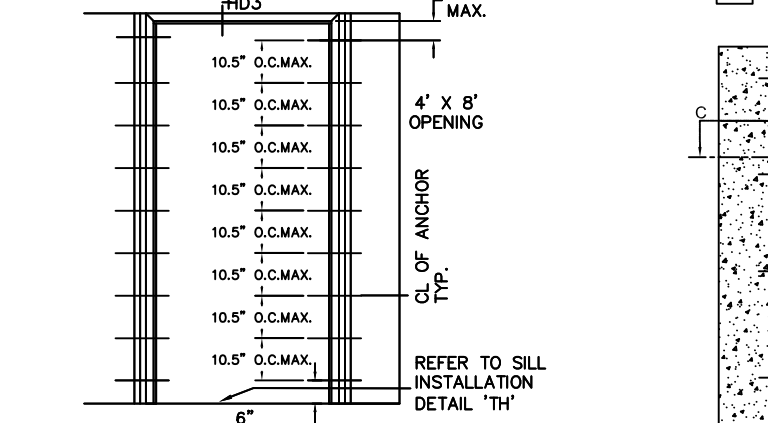
A WIRE OR T MASONRY ANCHOR INTO GROUT FILLED FRAME AND BLOCK WALL



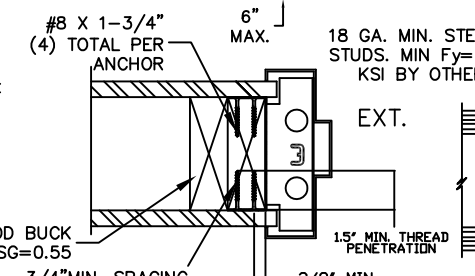
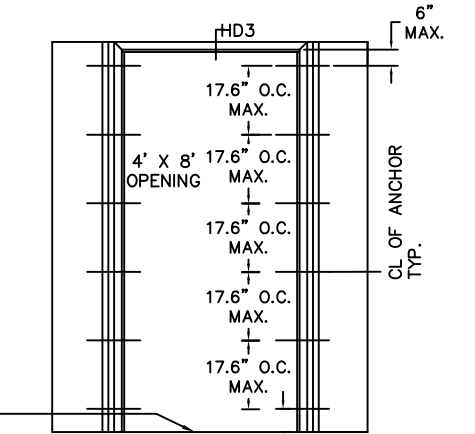
MASONRY BLOCK WALLS CMU (C-90) 2000PSI GOUT FILLED ACI530.1



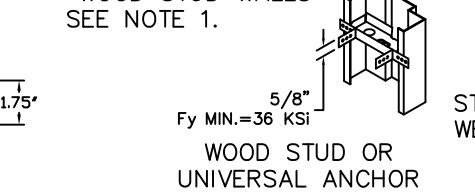
E EXISTING MASONRY ANCHOR (EMA) WITH LAG BOLT INTO WOOD STUD WALL



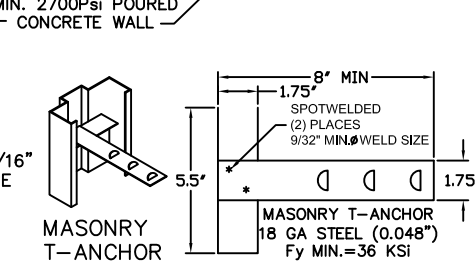
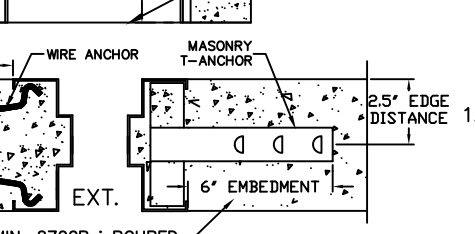
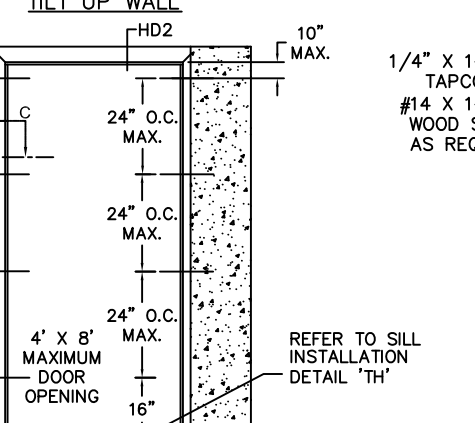
B WOOD STUD ANCHOR



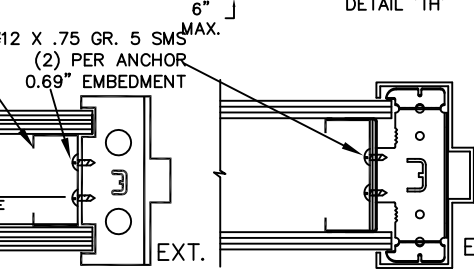
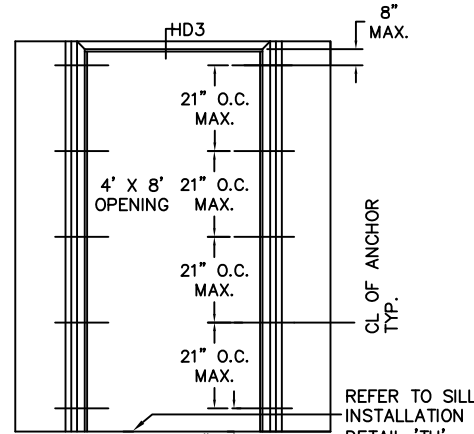
*WOOD STUD WALLS SEE NOTE 1.



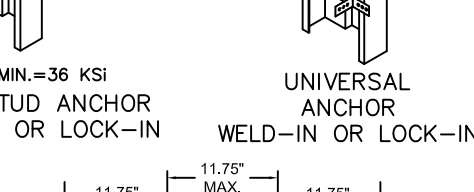
F POURED CONCRETE TILT UP WALL



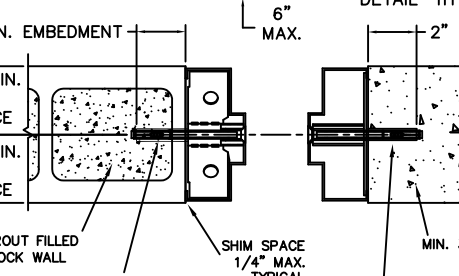
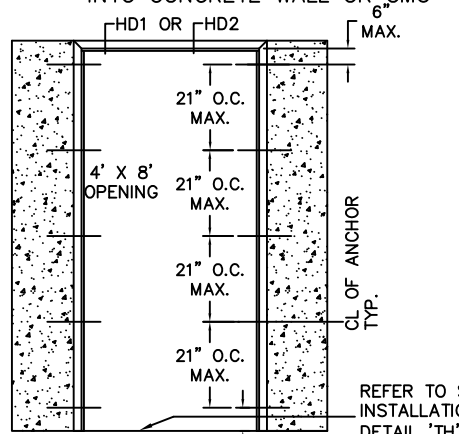
C STEEL STUD ANCHOR



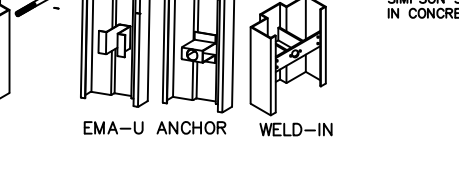
*STEEL STUD WALLS SEE NOTE 1.



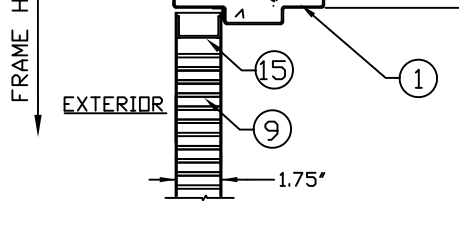
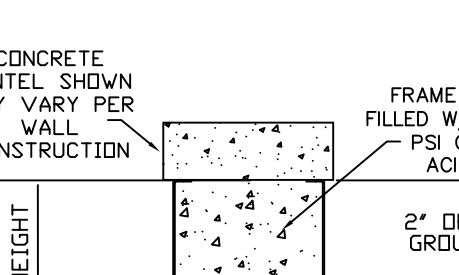
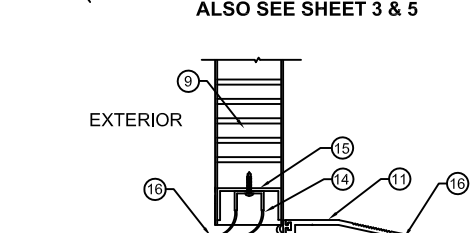
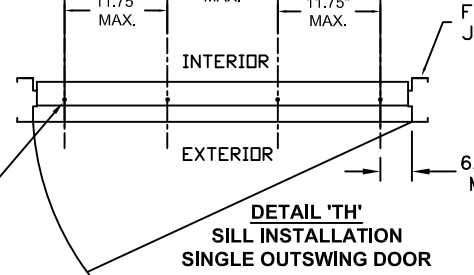
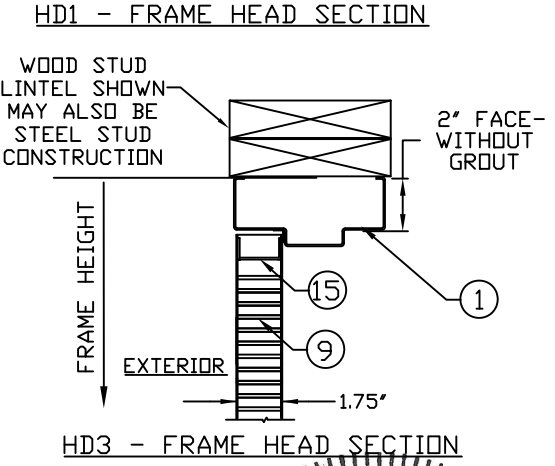
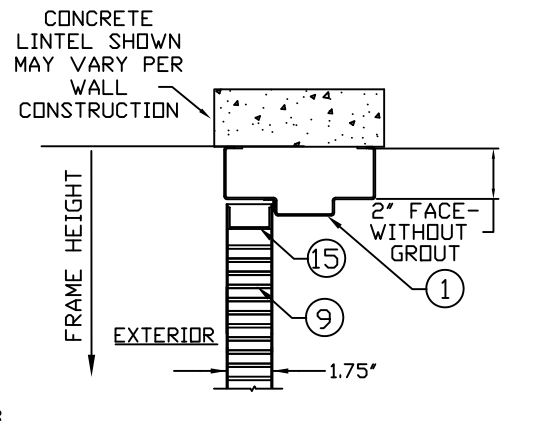
D EXISTING MASONRY ANCHOR (EMA) INTO CONCRETE WALL OR CMU



MIN. 2000PSI GROUT FILLED (C-90) CMU BLOCK WALL

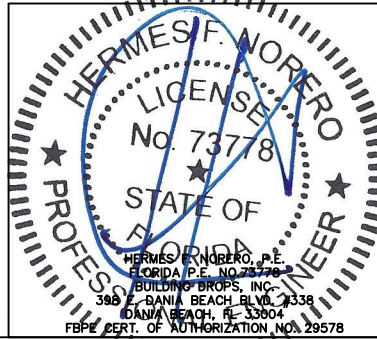


REVISIONS				
LTR	DESCRIPTION	DATE	APPROVED	
F	REVISED DWG	YMF	06/02/08	
G	REVISED DWG	YMF	03/03/09	
H	REVISED DWG	YMF	04/07/10	
J	REVISED NAME	JPD	11/01/13	
K	REVISED DWG	JPD	02/01/15	
L	REVISED DWG	JPD	06/30/15	
M	ENGINEER CHANGE	AM	12/01/16	
N	REVISED DWG	JPD	07/18/18	



EMBEDMENT 1/4\"/>

NOTES:
 1. (*)WOOD OR (*)STEEL STRUCTURAL MEMBERS OF WOOD AND STEEL-STUD WALLS MUST BE DESIGNED TO CARRY AT LEAST 312 #/FT. LOAD FOR ASSEMBLIES RATED @75 PSF, AND 416#/FT. FOR ASSEMBLIES RATED @100 PSF, WHICH SHOULD BE VERIFIED BY THE APPROPRIATE OFFICIAL.
 2. NUMBER OF ANCHORS FOR VARIOUS OPENING HEIGHTS IS LIMITED BY MAXIMUM DISTANCE BETWEEN ANCHORS, SHOWN ON THIS SHEET.
 3. SEAL ALL JOINTS WHERE FRAME MEETS WALL WITH BUTYL RUBBER OR 100% SILICONE CAULK
 4. INSTALL THRESHOLD INTO BEAD OF BUTYL RUBBER OR 100% SILICONE CAULK FULL LENGTH OF SILL



BEND RADIUS	SCHLAGE LOCK COMPANY, LLC 11819 N. PENNSYLVANIA STREET CARMEL, IN 46032		
THIRD ANGLE PROJECTION	TITLE: STEELCRAFT H SERIES SINGLE FLUSH OUTSWING COMMERCIAL STEEL DOORS WITH AND WITHOUT PANIC EXIT DEVICES		
DRAWN YMF	DATE 05/20/07	FRAME ANCHOR DETAILS & INSTALLATION CONDITIONS.	
CHECKED		SIZE FLAT	DWG NO. IRFS07
APPROVED		SCALE NTS	REV N
ENG. APPVL JPD	10/11/07	AUTOCAD	SHEET 4 of 14

TABLE 3.1 WATER RATED PERIMETER SEAL HARDWARE - ZERO INT'L THRESHOLD 566

ITEM NUMBER	MODEL No./ DESCRIPTION	MFG.
11A	566 THRESHOLD	ZERO INT'L
14	FAS-SEAL SWEEP	STEELCRAFT
15	END CHANNEL	STEELCRAFT
18A	188S DOOR SEAL	ZERO INT'L
20A	139 DOOR SWEEP	ZERO INT'L
20B	328 DOOR SWEEP	ZERO INT'L
21A	475 ADJUSTABLE SEAL	ZERO INT'L
22A	142 RAIN DRIP	ZERO INT'L
22B	11 RAIN DRIP	ZERO INT'L
23	DOOR TOP CAP	STEELCRAFT

ZERO INT'L 566 THRESHOLD GASKETING SYSTEM REQUIREMENTS FOR WATER INFILTRATION - MAXIMUM DESIGN PRESSURE RATING 75PSF - MAXIMUM DOOR SIZE 4'-0" X 8'-0" (SEE ELEVATIONS SHEET 1)

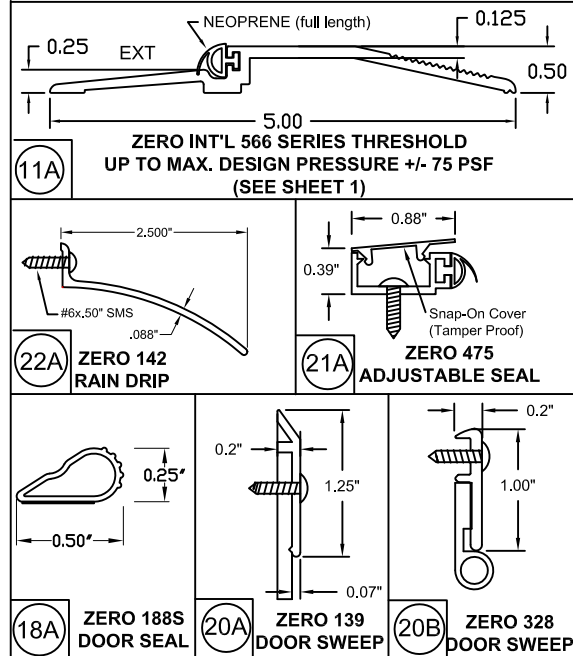
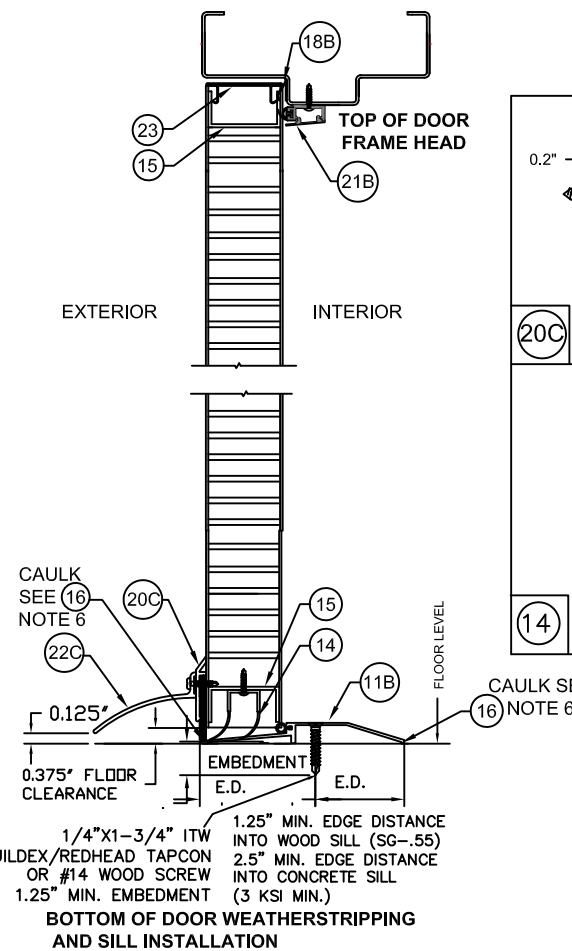
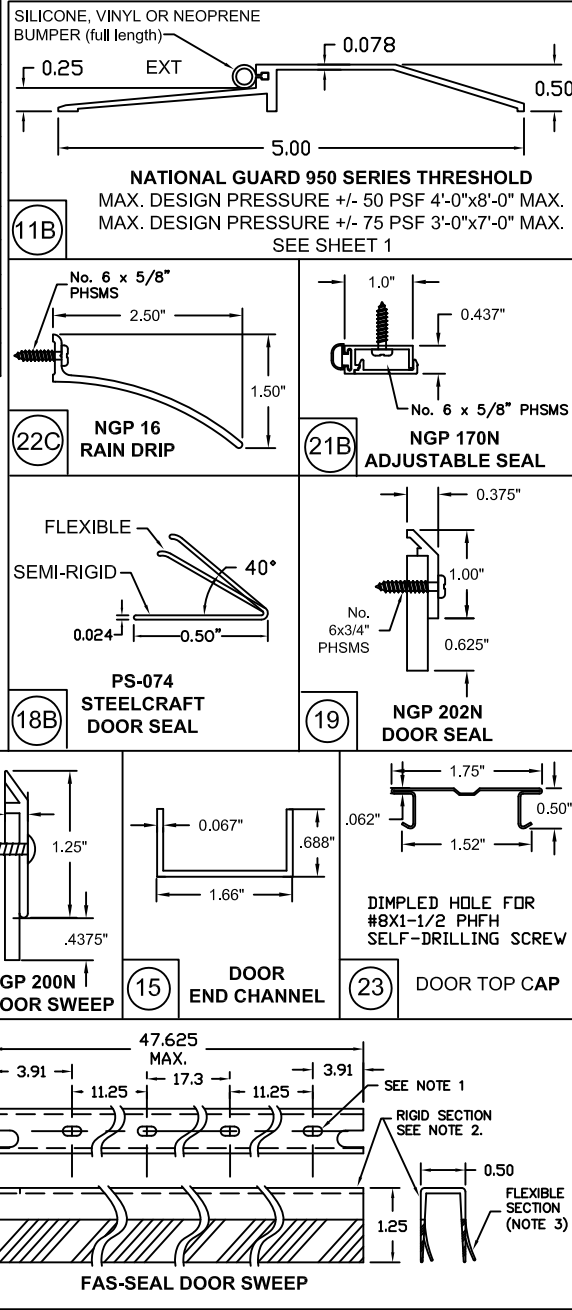


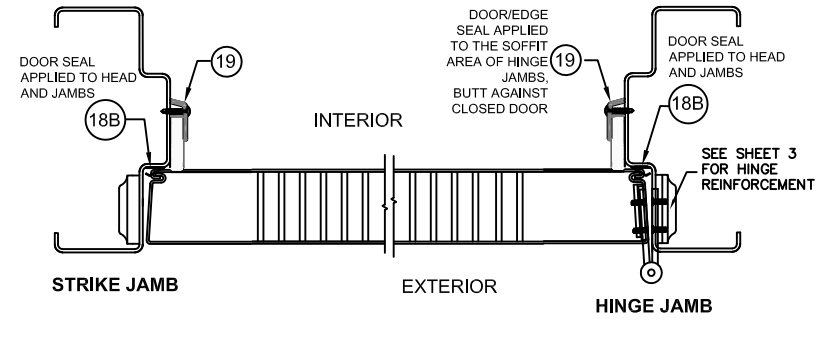
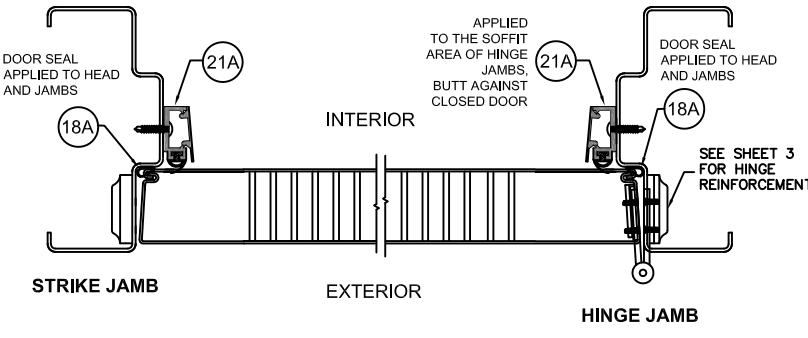
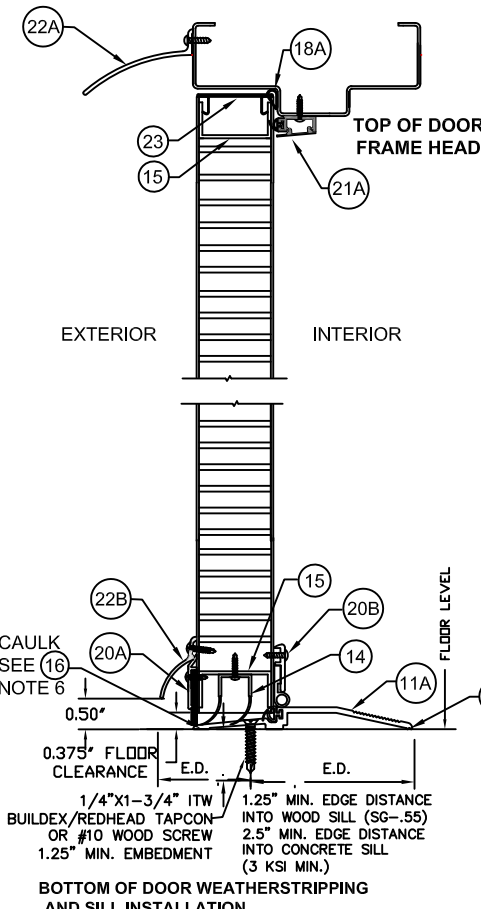
TABLE 3.2 WATER RATED PERIMETER SEAL HARDWARE - NGP THRESHOLD 950

ITEM NUMBER	MODEL No./ DESCRIPTION	MFG.
11B	950 THRESHOLD	NGP
14	FAS-SEAL SWEEP	STEELCRAFT
15	END CHANNEL	STEELCRAFT
18B	PS074 DOOR SEAL	STEELCRAFT
19	202N DOOR SEAL	NGP
20C	200N DOOR SWEEP	NGP
21B	170N ADJUSTABLE SEAL	NGP
22C	16A RAIN DRIP	NGP
23	DOOR TOP CAP	STEELCRAFT

NGP 950 THRESHOLD GASKETING SYSTEM REQUIREMENTS FOR WATER INFILTRATION - MAXIMUM DESIGN PRESSURE RATING 75PSF FOR MAXIMUM DOOR SIZE OF 3'-0" X 7'-0" MAXIMUM DESIGN PRESSURE 50 PSF FOR MAXIMUM DOOR SIZE OF 4'-0" X 8'-0" (SEE ELEVATIONS SHEET 1)

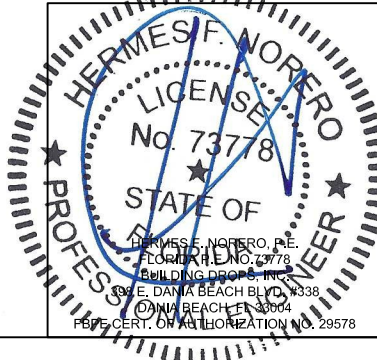


- NOTES:
1. SLOT LOCATIONS MAY VARY WITH DIFFERENT DOOR WIDTH.
2. DOOR SWEEP RIGID SECTION IS MADE OF PRO-FAX #PD-199 POLYPROPYLENE HOMOPOLYMER.
3. DOOR SWEEP FLEXIBLE SECTION IS MADE OF SANTOPRENE #101-73
4. FAS-SEAL DOOR SWEEP (14), AND THRESHOLD (11A OR 11B) ARE REQUIRED FOR ALL INSTALLATIONS.
5. SEAL ALL JOINTS WHERE FRAME MEETS WALL WITH BUTYL RUBBER OR 100% SILICONE CAULK
6. INSTALL THRESHOLD INTO BEAD OF BUTYL RUBBER OR 100% SILICONE CAULK FULL LENGTH OF SILL



REVISIONS

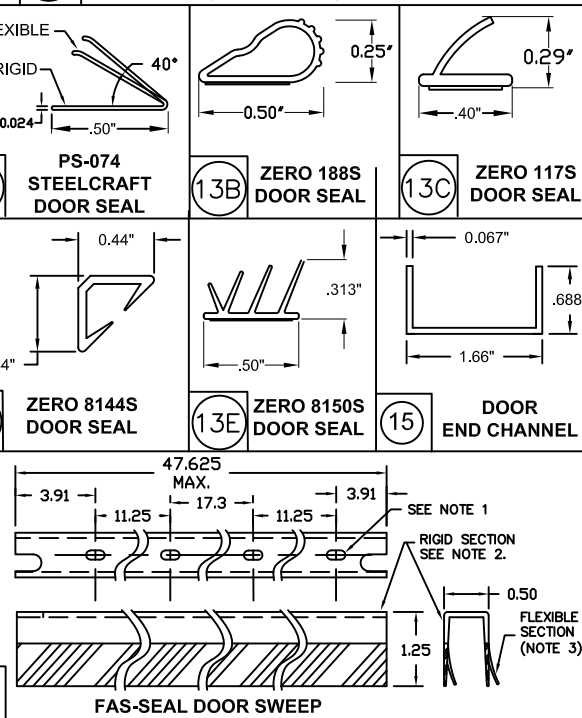
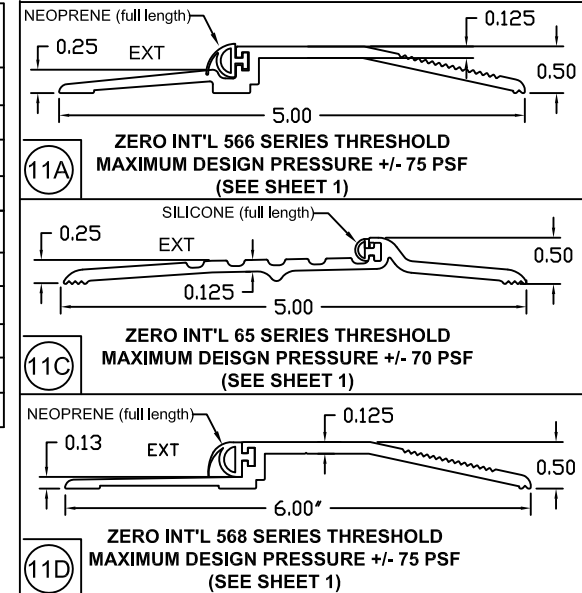
LTR	DESCRIPTION	DATE	APPROVED
C	REVISED DWG	RAP	12/10/07
D	REVISED DWG	YMF	01/07/07
E	REVISED DWG	YMF	04/03/08
F	REVISED DWG	YMF	06/03/08
G	REVISED DWG	YMF	03/03/09
H	REVISED DWG	YMF	04/07/10
J	REVISED NAME	JPD	11/01/13
K	REVISED DWG	JPD	02/01/15
L	REVISED DWG	JPD	06/30/15
M	ENGINEER CHANGE	AM	12/01/16
N	REVISED DWG	JPD	07/18/18



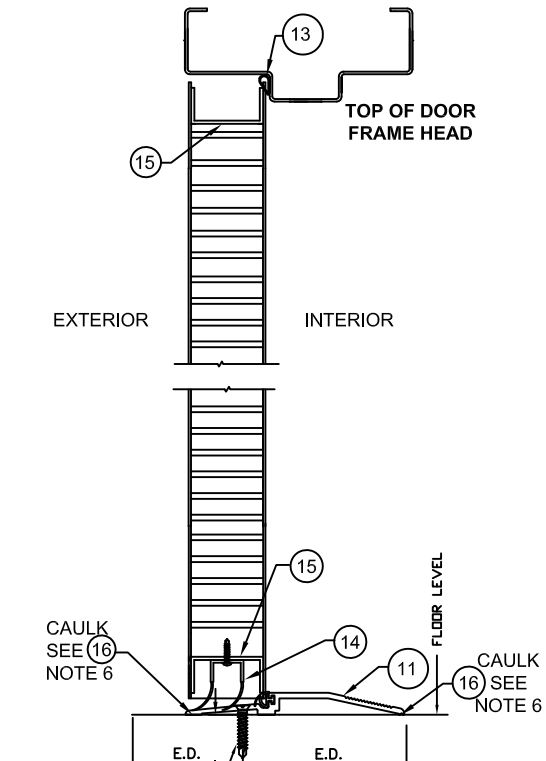
BEND RADIUS		SCHLAGE LOCK COMPANY, LLC 11819 N. PENNSYLVANIA STREET CARMEL, IN 46032	
THIRD ANGLE PROJECTION		TITLE: STEELCRAFT H SERIES SINGLE FLUSH OUTSWING COMMERCIAL STEEL DOORS WITH AND WITHOUT PANIC EXIT DEVICES	
DRAWN YMF	DATE 05/20/07	SINGLE FLUSH DOOR PERIMETER SEAL HARDWARE APPROVED WHERE WATER INFILTRATION IS REQUIRED	
APPROVED		SIZE FLAT	DWG NO. IRFS07
ENG. APPVL JPD	10/11/07	SCALE: NTS	AUTOCAD
		SHEET 5 of 14	REV N

TABLE 4.1 NON WATER RATED PERIMETER SEAL HARDWARE - ZERO INT'L THRESHOLDS

ITEM NUMBER	MODEL No./ DESCRIPTION	MFG.
11	11A 566 THRESHOLD	ZERO INT'L
	11C 65 THRESHOLD	ZERO INT'L
	11D 568 THRESHOLD	ZERO INT'L
13	13A PS074 DOOR SEAL	STEELCRAFT
	13B 188S DOOR SEAL	ZERO INT'L
	13C 117S DOOR SEAL	ZERO INT'L
	13D 8144S DOOR SEAL	ZERO INT'L
14	FAS-SEAL SWEEP	STEELCRAFT
15	END CHANNEL	STEELCRAFT

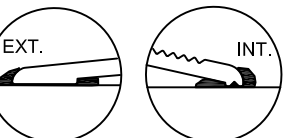
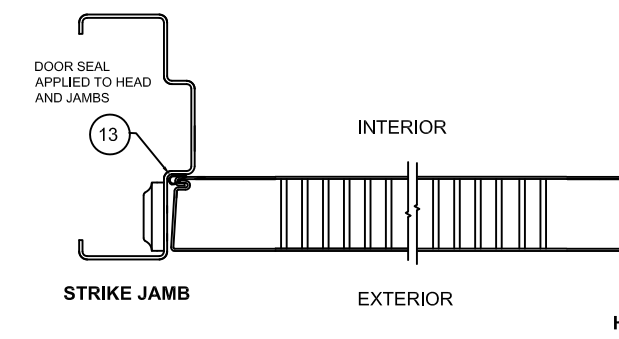


ZERO INT'L 566, 65 AND 568 THRESHOLD GASKETING SYSTEM REQUIREMENTS WHEN WATER INFILTRATION IS NOT REQUIRED
MAXIMUM DESIGN PRESSURE RATING 75 PSF -
MAXIMUM DOOR SIZE 4'-0" X 8'-0"
(SEE ELEVATIONS SHEET 1)

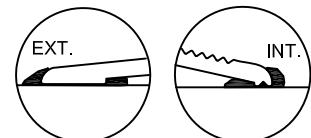


1/4"x1-3/4" ITW BUILDDEX/REDHEAD TAPCON OR #10 WOOD SCREW INTO WOOD SILL (SG-.55) 1.25" MIN. EMBEDMENT
 1.25" MIN. EDGE DISTANCE INTO WOOD SILL (SG-.55) 2.5" MIN. EDGE DISTANCE INTO CONCRETE SILL (3 KSI MIN.)

BOTTOM OF DOOR WEATHERSTRIPPING AND SILL INSTALLATION



TYPICAL THRESHOLD SET INTO BEAD OF CAULK SEE NOTE 6



TYPICAL THRESHOLD SET INTO BEAD OF CAULK SEE NOTE 6

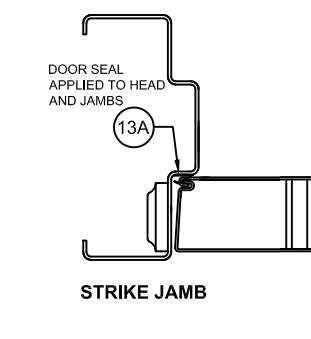
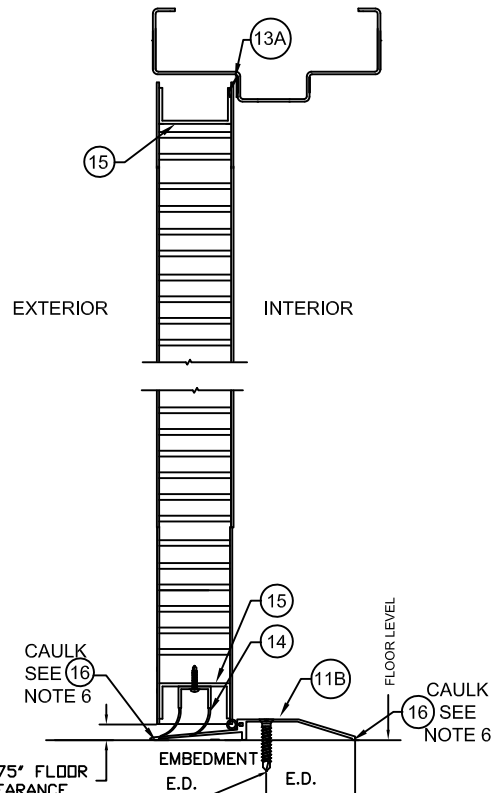
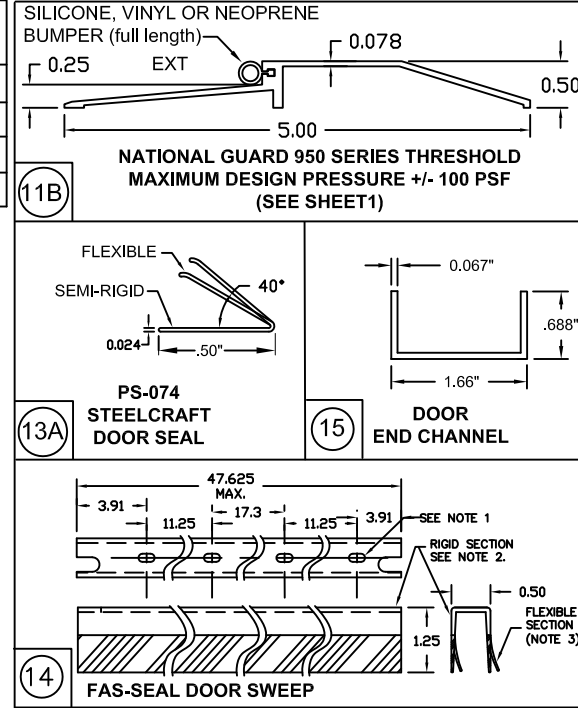


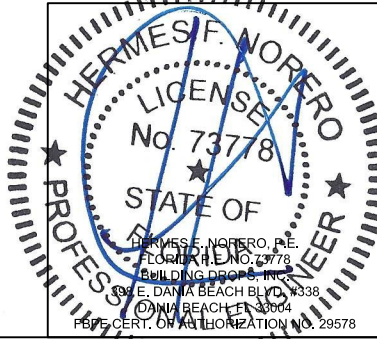
TABLE 4.2 NON WATER RATED PERIMETER SEAL HARDWARE - NGP THRESHOLD 950

ITEM NUMBER	MODEL No./ DESCRIPTION	MFG.
11B	950 THRESHOLD	NGP
13A	PS074 DOOR SEAL	STEELCRAFT
14	FAS-SEAL SWEEP	STEELCRAFT
15	END CHANNEL	STEELCRAFT

NGP 950 THRESHOLD GASKETING SYSTEM REQUIREMENTS WHEN WATER INFILTRATION IS NOT REQUIRED -
MAXIMUM DESIGN PRESSURE 100 PSF FOR
MAXIMUM DOOR SIZE OF 4'-0" X 8'-0"
(SEE ELEVATIONS SHEET 1)



- NOTES:**
1. SLOT LOCATIONS MAY VARY WITH DIFFERENT DOOR WIDTH.
 2. DOOR SWEEP RIGID SECTION IS MADE OF PRO-FAX #PD-199 POLYPROPYLENE HOMOPOLYMER.
 3. DOOR SWEEP FLEXIBLE SECTION IS MADE OF SANTOPRENE #101-73
 4. FAS-SEAL DOOR SWEEP (14), DOOR SEAL (13A, 13B, 13C, 13D, 13E) AND THRESHOLD (11A, 11B, 11C, 11D) AS APPLICABLE, ARE REQUIRED FOR ALL INSTALLATIONS.
 5. SEAL ALL JOINTS WHERE FRAME MEETS WALL WITH BUTYL RUBBER OR 100% SILICONE CAULK
 6. INSTALL THRESHOLD INTO BEAD OF BUTYL RUBBER OR 100% SILICONE CAULK FULL LENGTH OF SILL



BEND RADIUS		SCHLAGE LOCK COMPANY, LLC 11819 N. PENNSYLVANIA STREET CARMEL, IN 46032	
THIRD ANGLE PROJECTION		TITLE: STEELCRAFT H SERIES SINGLE FLUSH OUTSWING COMMERCIAL STEEL DOORS WITH AND WITHOUT PANIC EXIT DEVICES	
DRAWN YMF	DATE 05/20/07	SINGLE FLUSH DOOR PERIMETER SEAL HARDWARE APPROVED WHERE WATER INFILTRATION IS NOT REQUIRED	
CHECKED		SIZE FLAT	DWG NO. IRFS07
APPROVED		SCALE: NTS	AUTOCAD
ENG. APPVL JPD	10/11/07	SHEET 6 of 14	REV N

REVISIONS			
LTR	DESCRIPTION	DATE	APPROVED
B	REVISED DWG	RAP	10/11/07
C	REVISED DWG	RAP	12/10/07
D	REVISED DWG	YMF	01/07/07
E	REVISED DWG	YMF	04/03/08
F	REVISED DWG	YMF	06/03/08
G	REVISED DWG	YMF	03/03/09
H	REVISED DWG	YMF	04/07/10
J	REVISED NAME	JPD	11/01/13
K	REVISED DWG	JPD	02/01/15
L	REVISED DWG	JPD	06/30/15
M	ENGINEER CHANGE	AM	12/01/16
N	REVISED DWG	JPD	07/18/18

REVISIONS

LTR	DESCRIPTION	DATE	APPROVED
E	REVISED DWG YMF	04/08/08	
F	REVISED DWG YMF	06/03/08	
G	REVISED DWG YMF	03/03/09	
H	REVISED DWG YMF	04/07/10	
J	REVISED NAME JPD	11/01/13	
K	REVISED DWG JPD	02/01/15	
L	ENGINEER CHANGE AM	12/01/16	
N	REVISED DWG JPD	07/18/18	

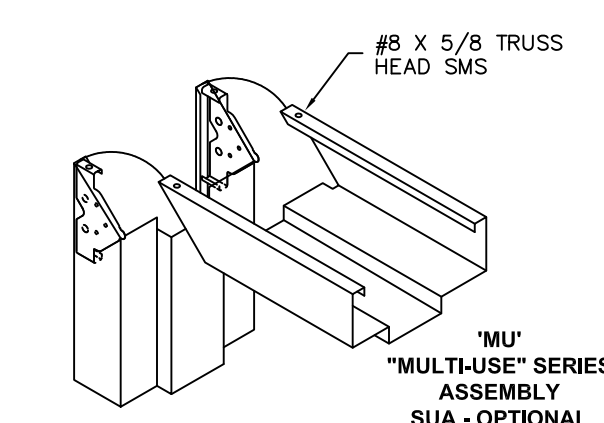
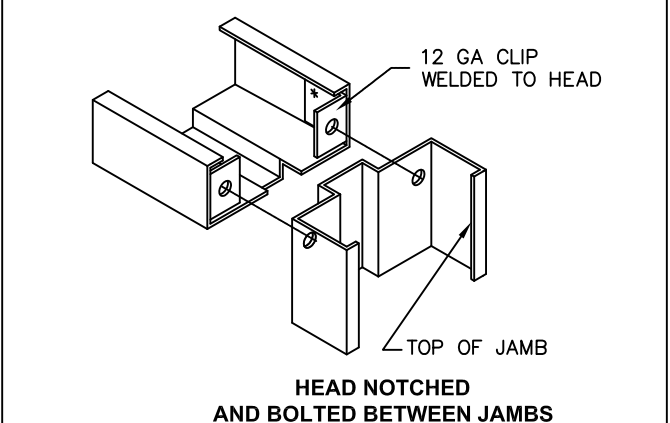
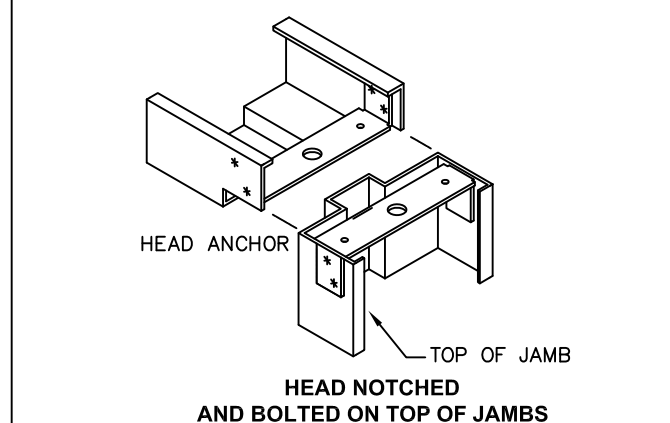
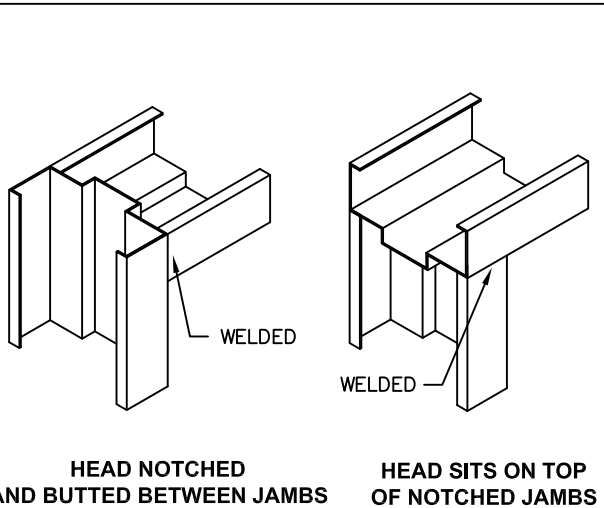
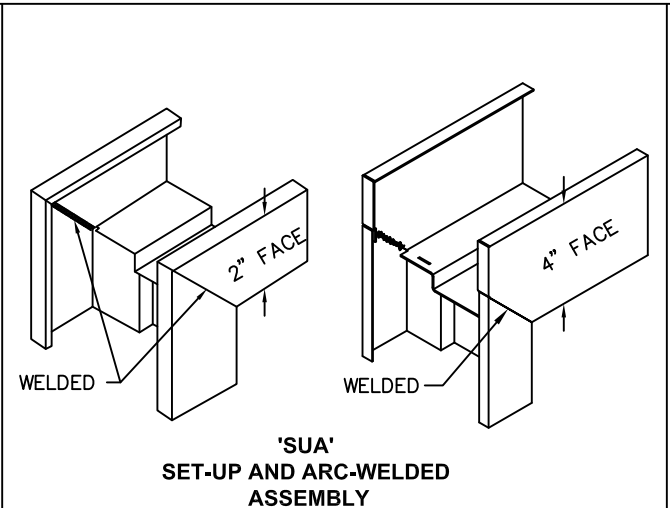
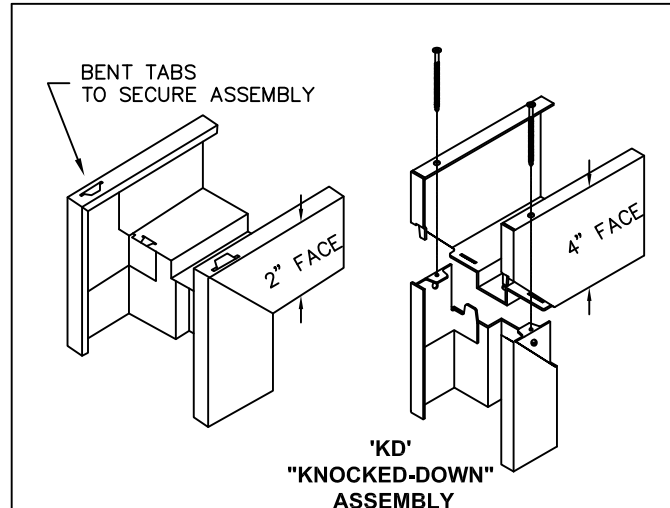


TABLE 5. AVAILABLE STEELCRAFT DOOR CONFIGURATIONS

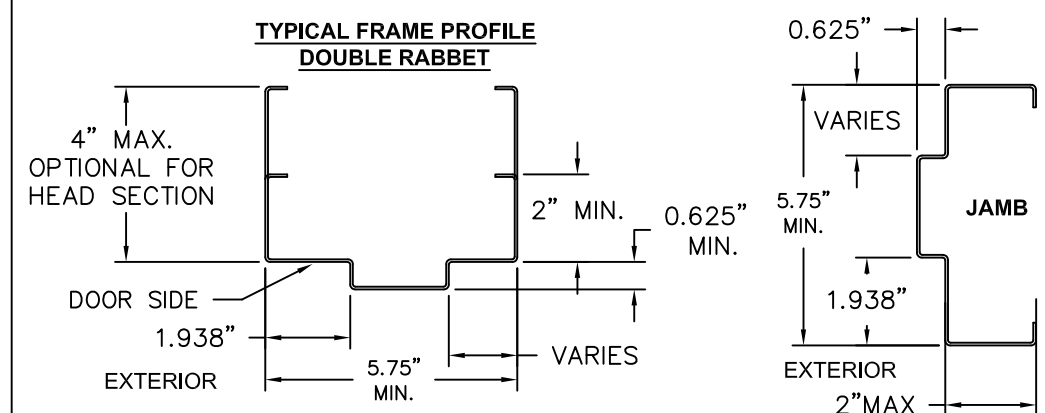
CORE MATERIAL PER SHT.4	MAXIMUM OPENING SIZE		SKIN MATERIAL	
	WIDTH	HEIGHT	DESCR.	GA./MIN. THK
HONEYCOMB POLYSTYRENE POLYURETHANE (POLYISOCYANURATE) TEMPERATURE RISE STEEL STIFFENED	VARIES SEE SHEET 2 TABLE 1		CRS GALV	16/.053" 14/.067"
HONEYCOMB POLYSTYRENE POLYURETHANE	VARIES SEE SHEET 2 TABLE 1		STAINLESS STEEL	16/.053"

TABLE 6. AVAILABLE STEELCRAFT FRAME CONFIGURATIONS

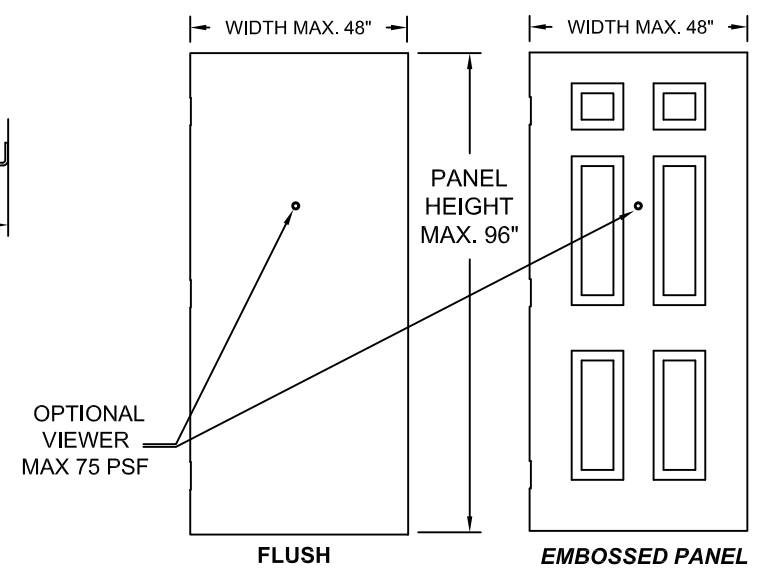
FRAME SERIES	JAMB DEPTH	MAX. OPENING SIZE		MATERIAL	
		WIDTH	HEIGHT	DESCR.	GA./MIN. THK
F	5.75" MIN.	VARIES SEE SHEET 2 TABLE 1		CRS/HRS GALV	16/.053" 14/.067" 12/.099"
MU	5.75" MIN.	VARIES SEE SHEET 2 TABLE 1		STAINLESS STEEL	16/.053"
				CRS/HRS GALV	16/.053" 14/.067"

TABLE 7. STEEL DOOR/FRAME MECHANICAL PROPERTIES

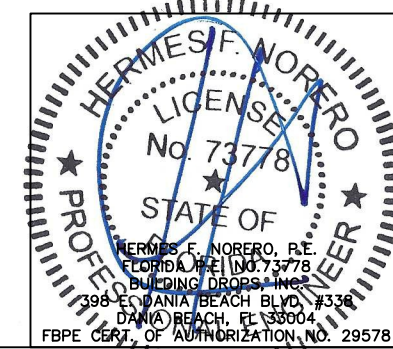
MATERIAL	ASTM REF.	YIELD KSi	TENSILE KSi
CRS	A366	MIN. 30.1	MIN. 44.7
HRS	A1011		
GALV: A60	A924		
SS: 304,316	A240	MIN. 31.2	MIN. 73.2



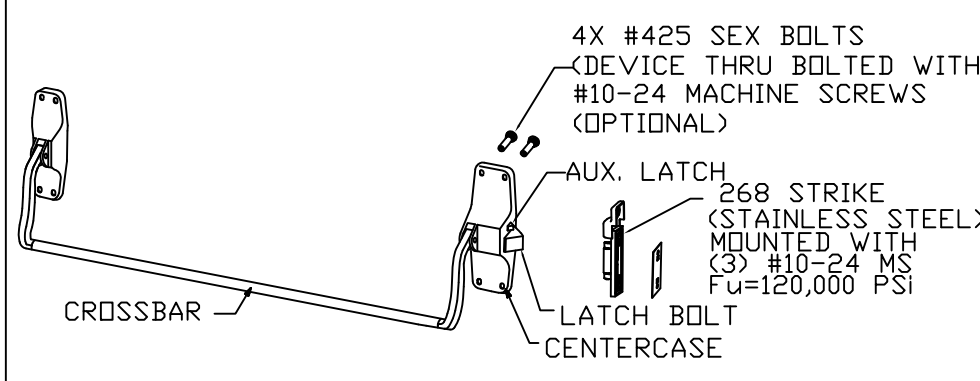
AVAILABLE DOOR PANEL CONFIGURATIONS



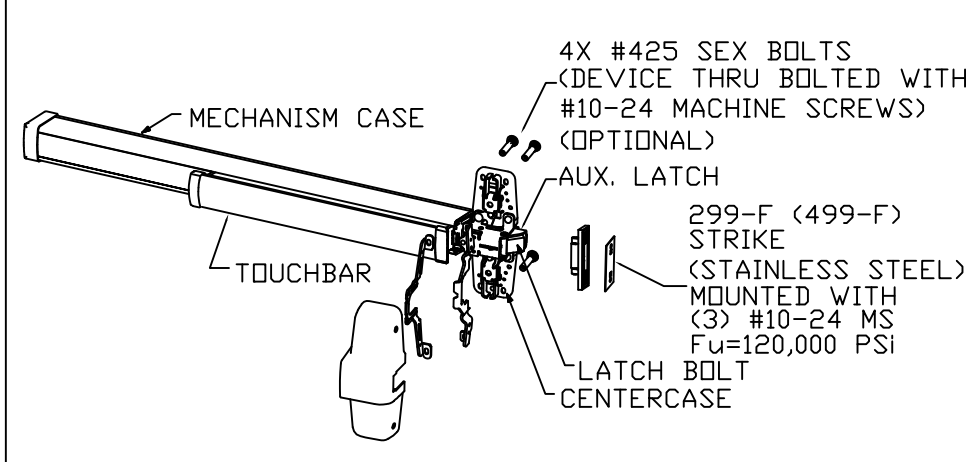
- NOTES:**
- DOOR CONSTRUCTION
 - MINIMUM DOOR THICKNESS - 1 3/4"
 - DOOR SIZE MAY VARY, SUBJECTED TO COMPLIANCE WITH FLORIDA BUILDING CODE AND PRODUCT(DOOR, FRAME AND HARDWARE) AVAILABILITY FROM MANUFACTURER (SEE SHEET 2 FOR AVAILABLE HARDWARE)
 - DOOR VIEWERS ARE PERMITTED TO BE USED IN DOOR WITH A DESIGN PRESSURE OF +/-75PSF OR LESS. MAXIMUM 9/16" DIAMETER HOLE THROUGH DOOR FOR VIEWER INSTALLATION.
 - FRAME CONSTRUCTION
 - MINIMUM JAMB DEPTH - 5-3/4", STOP HEIGHT - 5/8"
 - FRAMES AVAILABLE AS FLUSH (F-SERIES) AND MULTI-USE (MU-SERIES) (SEE TABLE 6)
 - FOR DOOR/FRAME MATERIAL SPECIFICATIONS REFERENCE SEE TABLE 7.



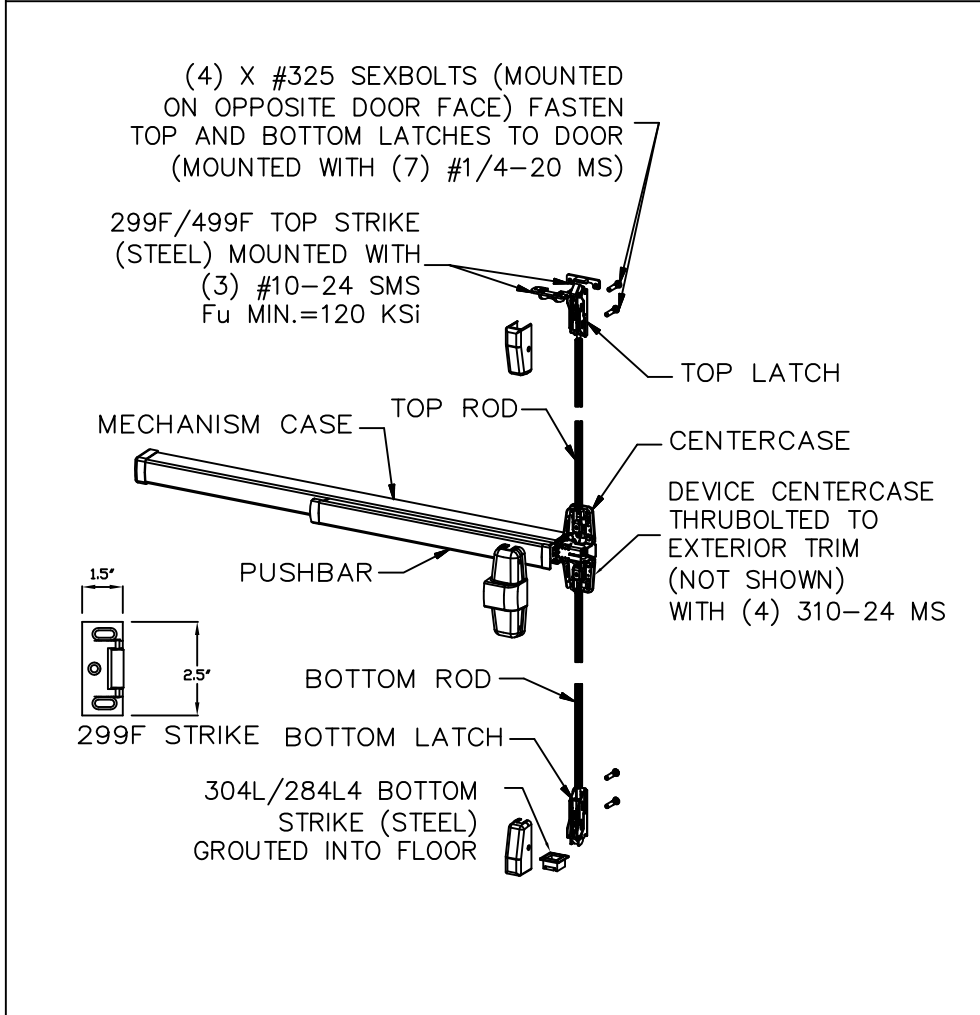
BEND RADIUS		SCHLAGE LOCK COMPANY, LLC 11819 N. PENNSYLVANIA STREET CARMEL, IN 46032	
THIRD ANGLE PROJECTION		TITLE STEELCRAFT H SERIES SINGLE FLUSH OUTSWING COMMERCIAL STEEL DOORS WITH AND WITHOUT PANIC EXIT DEVICES	
DRAWN YMF	DATE 05/20/07	FRAME PROFILE, CORNER DETAILS AND DOOR FRAME MATERIAL, AND SIZE OPTIONS	
CHECKED		SIZE FLAT	DWG NO. IRFS07
APPROVED		SCALE: NTS	AUTOCAD
ENG. APPVL JPD	10/11/07	SHEET 7 of 14	REV N



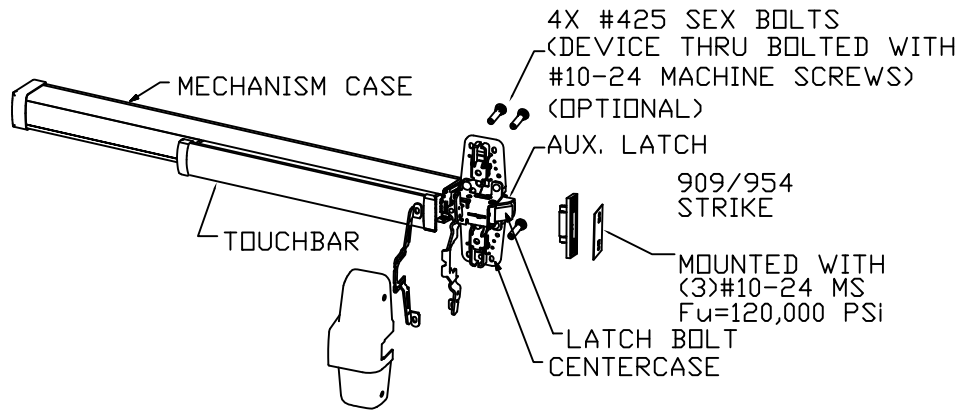
RIM EXIT DEVICE VON DUPRIN 88-F
USED IN **DOOR CONFIGURATION 8** (SEE SHT.1)



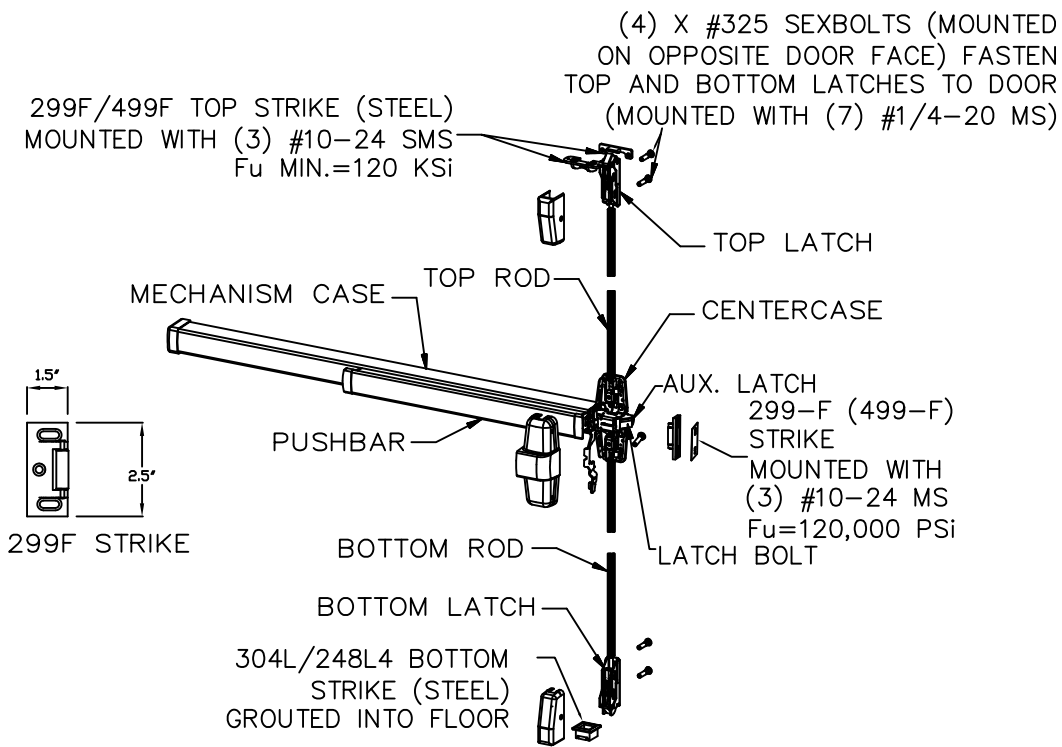
RIM EXIT DEVICE VON DUPRIN 98/99 & 98/99-F
USED IN **DOOR CONFIGURATION 8** (SEE SHT.1)



SURFACE VERTICAL ROD EXIT DEVICE VON DUPRIN 98/9927 & 98/9927-F
USED IN **DOOR CONFIGURATION 5** (SEE SHT.1)



RIM EXIT DEVICE VON DUPRIN XP98/99 & XP98/99-F
USED IN **DOOR CONFIGURATION 9** (SEE SHT.1)

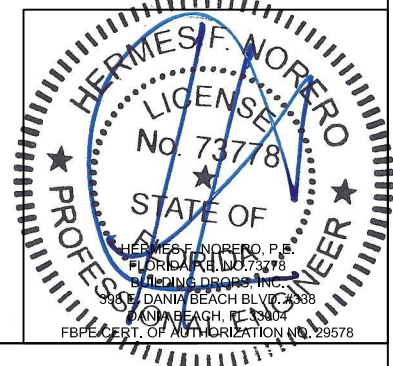


THREE-POINT EXIT DEVICE VON DUPRIN 98/9957 & 98/9957-F
USED IN **DOOR CONFIGURATION 7** (SEE SHT.1)

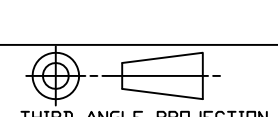
NOTES:
ELECTRIC/ELECTRONIC FUNCTION AND FIRE RATINGS ARE NOT PART OF THIS APPROVAL AND MUST BE REVIEWED BY AUTHORITY HAVING JURISDICTION
EXIT HARDWARE OPTIONS:
FOR 98/99 SERIES - E, RX, LX, SS, EL, QEL, CX, F, ALK
FOR XP98/99 SERIES - E, RX, LX, QEL, F
TRIMS: ALL APPLICABLE TRIMS AVAILABLE.
PN MODEL OFFERED.

REVISIONS

LTR	DESCRIPTION	DATE	APPROVED
A	APPROVAL DWG	YMF	05/20/07
D	REVISED DWG	YMF	01/08/08
F	REVISED DWG	YMF	06/03/08
G	REVISED DWG	YMF	03/03/09
H	REVISED DWG	YMF	04/07/10
J	REVISED NAME	JPD	11/01/13
K	REVISED DWG	JPD	02/01/15
L	ENGINEER CHANGE	AM	12/01/16
N	REVISED DWG	JPD	07/18/18

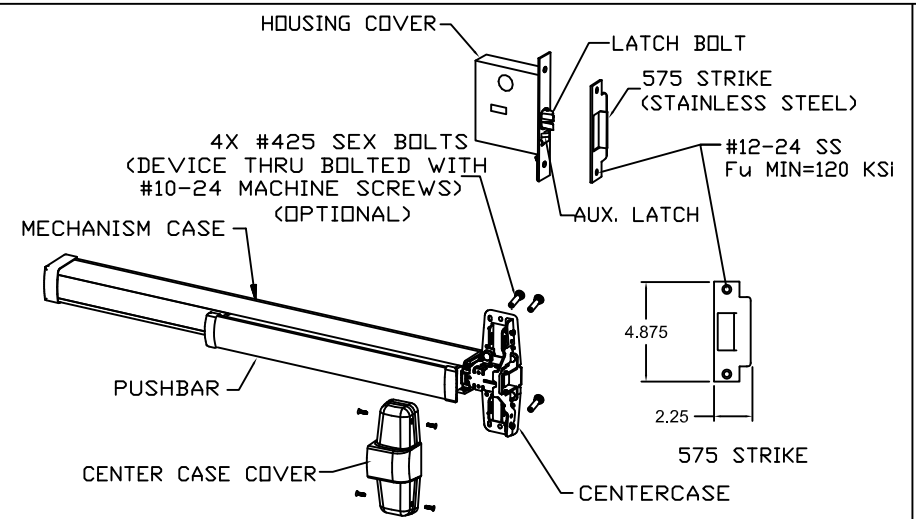


BEND RADIUS

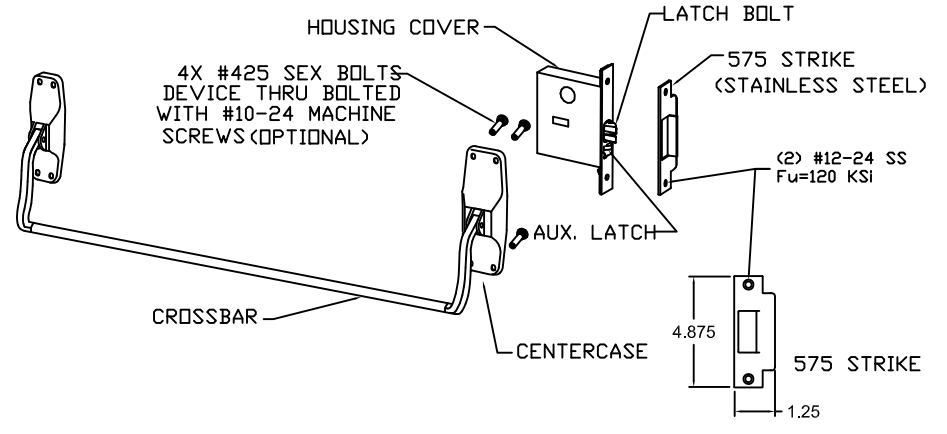


DRAWN	DATE
YMF	05/20/07
CHECKED	CDATE
APPROVED	ADATE
ENG. APPVL	EDATE
JPD	10/11/07

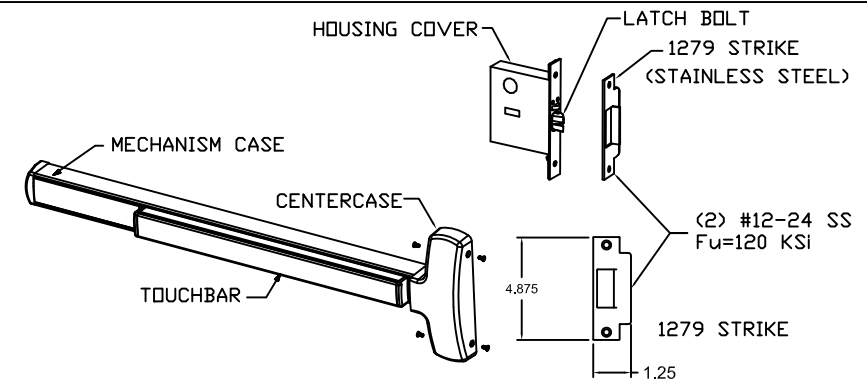
SCHLAGE LOCK COMPANY, LLC 11819 N. PENNSYLVANIA STREET CARMEL, IN 46032			
TITLE: STEELCRAFT H SERIES SINGLE FLUSH OUTSWING COMMERCIAL STEEL DOORS WITH AND WITHOUT PANIC EXIT DEVICES			
EXIT HARDWARE OPTIONS FOR FLUSH SINGLE DOORS			
SIZE	FLAT	DWG NO.	REV
		IRFS07	N
SCALE:	NTS	AUTOCAD	SHEET 8 of 14



MORTISE EXIT DEVICE VON DUPRIN 98/9975 & 9975-F
USED IN **DOOR CONFIGURATION 10** (SEE SHT.1)

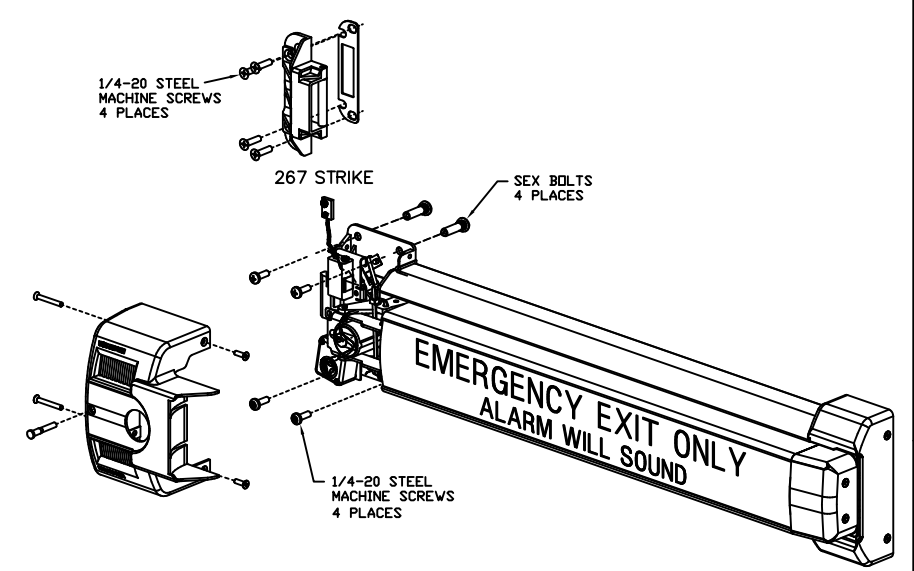


MORTISE EXIT DEVICE VON DUPRIN 8875 & 8875-F
USED IN **DOOR CONFIGURATION 10** (SEE SHT.1)

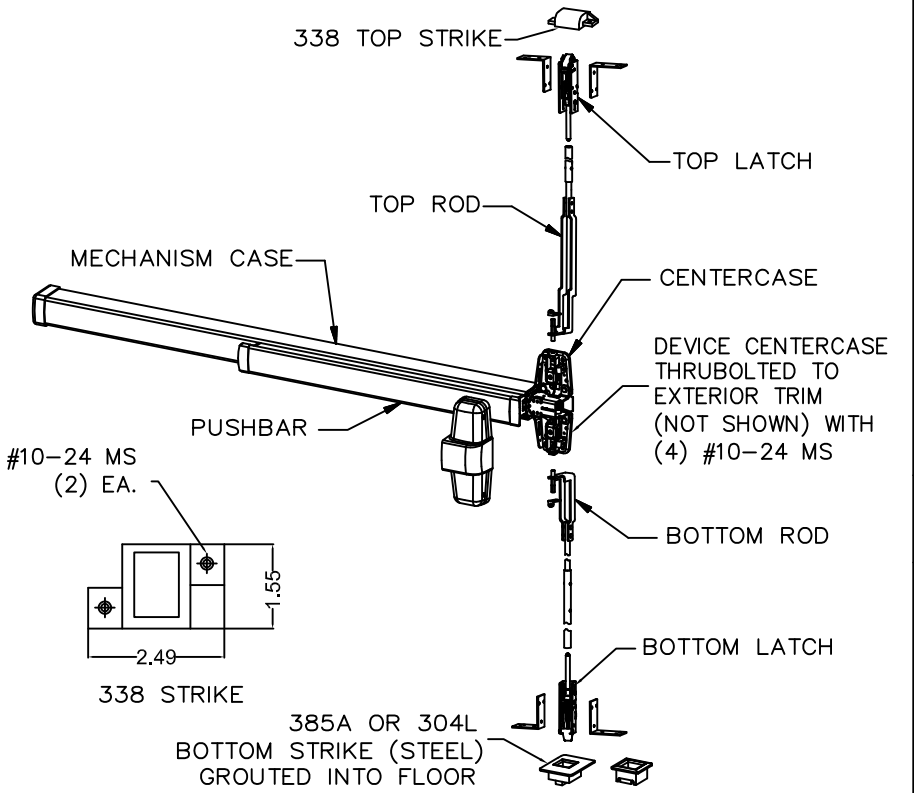


MORTISE EXIT DEVICE FALCON F-25-M & 25-M
USED IN **DOOR CONFIGURATION 10** (SEE SHT.1)

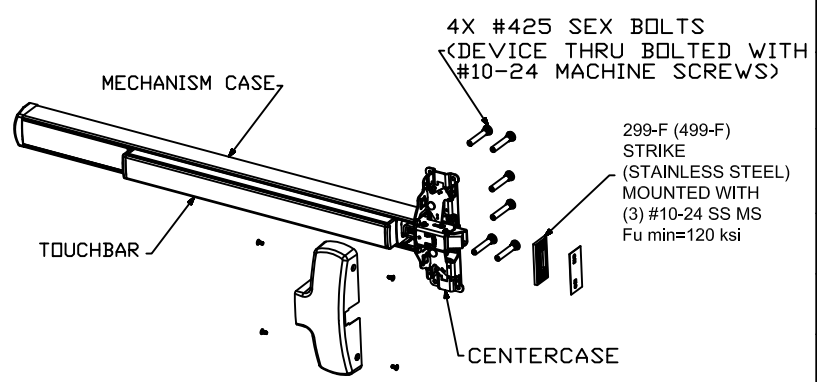
NOTES:
1. ELECTRICAL FUNCTIONS/INSTALLATION AND FIRE RATINGS ARE NOT PART OF THIS APPROVAL AND TO BE REVIEWED BY BUILDING OFFICIAL.
2. EXIT HARDWARE OPTIONS:
FOR 98/99 SERIES - E, RX, LX, SS, EL, QEL, CX, F ALK
FOR XP98/99 SERIES - E, RX, LX, QEL, F
TRIMS: ALL APPLICABLE TRIMS AVAILABLE.
FOR 88-F SERIES RIM - FUNCTION E
TRIMS: ALL APPLICABLE TRIMS AVAILABLE. PN MODEL OFFERED.
FOR 2670 GUARD-X
TRIMS: ALL APPLICABLE TRIMS AVAILABLE.
FOR FALCON (F)25-R, (F)25-M, F-25-C & (F)25-V SERIES - FUNCTIONS AE, DM, LM, LK, KOR, ED, EL, EA, FSA, FSE, HWEA
TRIMS: ALL APPLICABLE TRIMS AVAILABLE



EXIT ALARM LOCK VON DUPRIN 2670 GUARD-X
USED IN **DOOR CONFIGURATION 11** (SEE SHT.1)

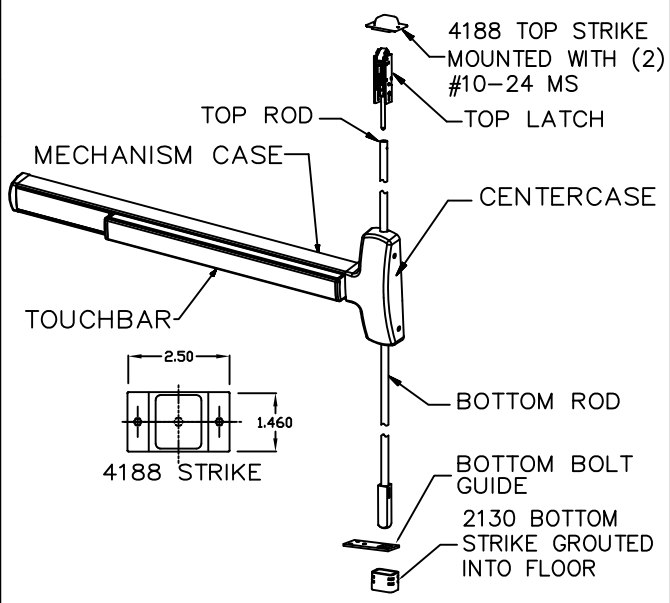


CONCEALED VERTICAL ROD EXIT DEVICE VON DUPRIN 98/9947-F & HH98/9947 WITH 2-3/4" BACKSET
USED IN **DOOR CONFIGURATION 6** (SEE SHT.1)

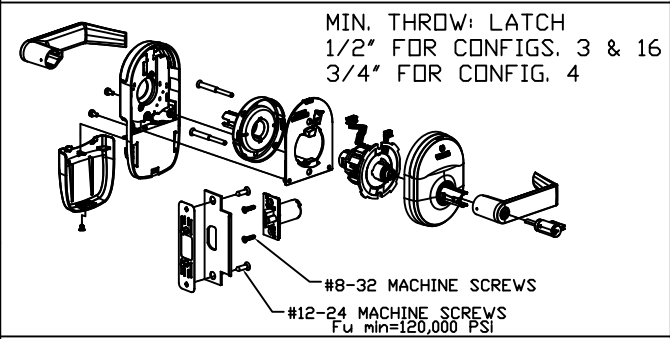


RIM EXIT DEVICE FALCON F-25-R & 25-R
USED IN **DOOR CONFIGURATION 13** (SEE SHT.1)

REVISIONS				
LTR	DESCRIPTION	DATE	APPROVED	
D	REVISED DWG	YMF	12/10/07	
E	REVISED DWG	YMF	04/08/08	
F	REVISED DWG	YMF	06/03/08	
G	REVISED DWG	YMF	03/03/09	
H	REVISED DWG	YMF	04/07/10	
J	REVISED NAME	JPD	11/01/13	
K	REVISED DWG	JPD	02/01/15	
L	ENGINEER CHANGE	AM	12/01/16	
N	REVISED DWG	JPD	07/18/18	



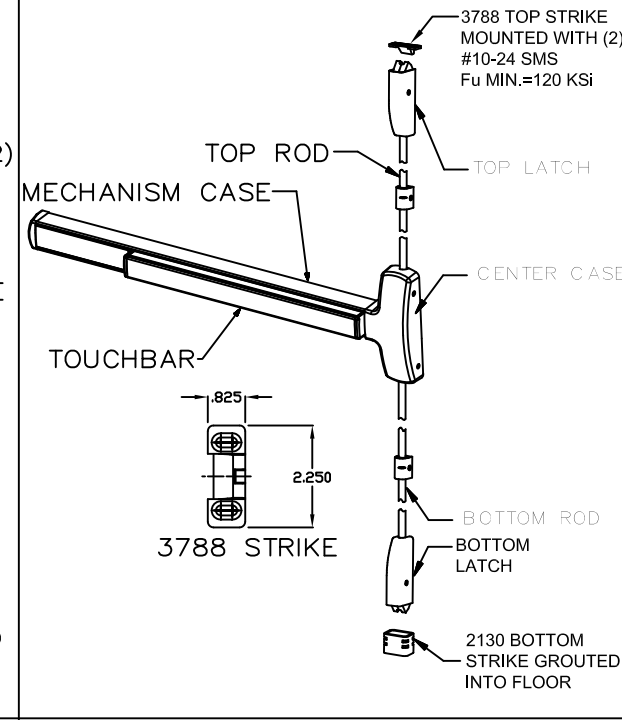
CONCEALED VERTICAL ROD EXIT DEVICE FALCON F-25-C
USED IN **DOOR CONFIGURATION 6** (SEE SHT.1)



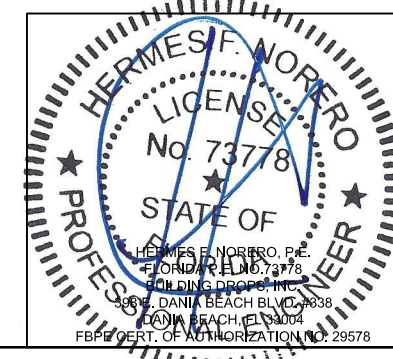
SCHLAGE NDE SERIES CYLINDRICAL LOCKSET
USED IN **DOOR CONFIGURATIONS: 3, 4 & 16** (SEE SHT.1)

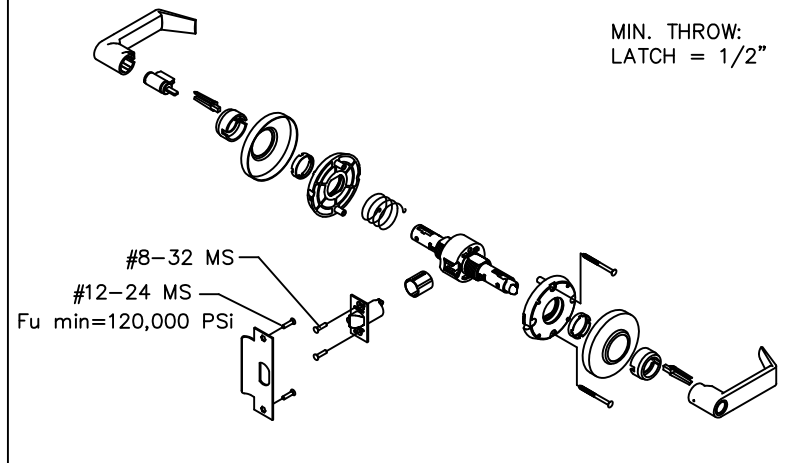
BEND RADIUS	
THIRD ANGLE PROJECTION	
DRAWN	DATE
YMF	05/20/07
CHECKED	
APPROVED	
ENG. APPVL	DATE
JPD	10/11/07

SCHLAGE LOCK COMPANY, LLC 11819 N. PENNSYLVANIA STREET CARMEL, IN 46032			
TITLE: STEELCRAFT H SERIES SINGLE FLUSH OUTSWING COMMERCIAL STEEL DOORS WITH AND WITHOUT PANIC EXIT DEVICES			
HARDWARE OPTIONS FOR FLUSH SINGLE DOORS			
SIZE	FLAT	DWG NO.	REV
		IRFS07	N
SCALE:	NTS	AUTOCAD	SHEET 9 of 14

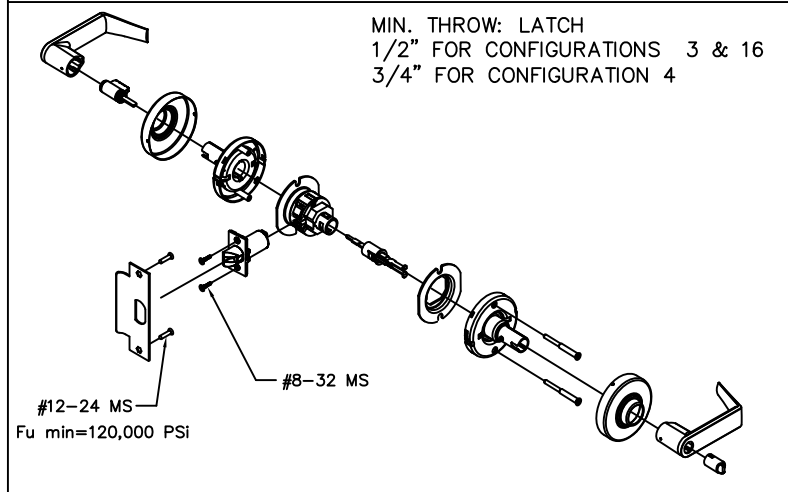


SURFACE VERTICAL ROD EXIT DEVICE FALCON F-25-V & 25-V
USED IN **DOOR CONFIGURATION 5** (SEE SHT.1)

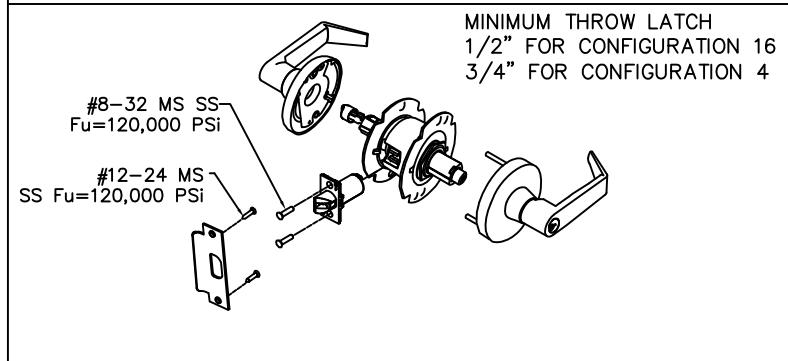




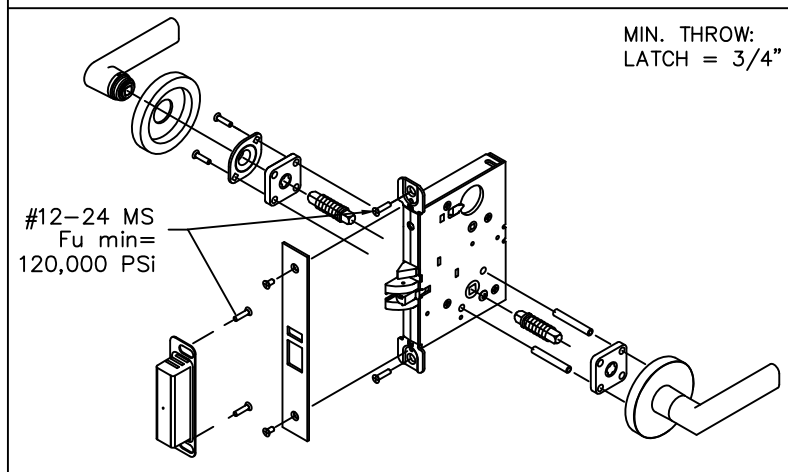
SCHLAGE AL-SERIES CYLINDRICAL LOCKSET WITH 1/2" THROW LATCH USED IN DOOR CONFIGURATION 2 (SEE SHT.1)



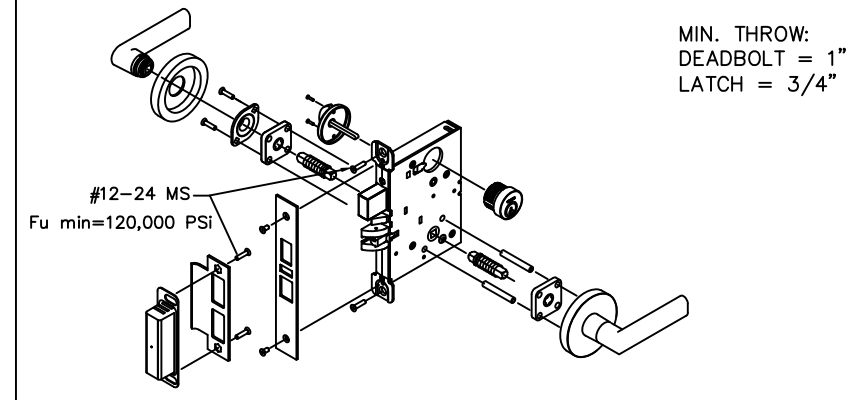
SCHLAGE D/ND-SERIES CYLINDRICAL LOCKSET USED IN DOOR CONFIGURATIONS 3, 4 & 16 (SEE SHT.1)



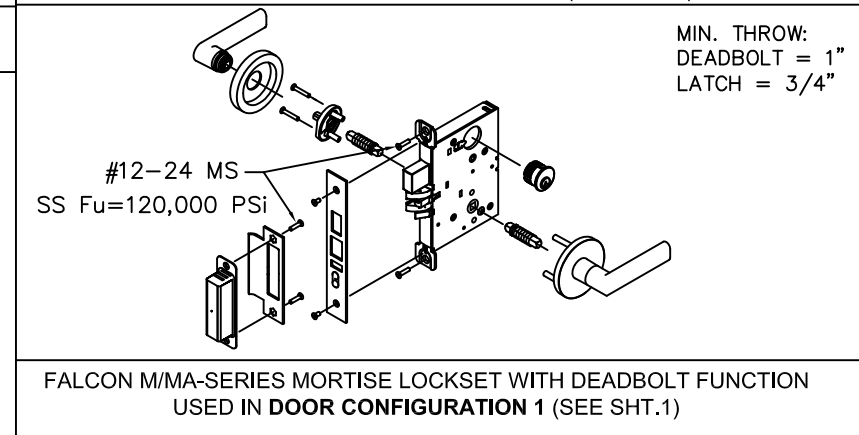
SCHLAGE B600/700/800 CYLINDRICAL DEADLOCK USED IN DOOR CONFIGURATION 12 (SEE SHT.1)



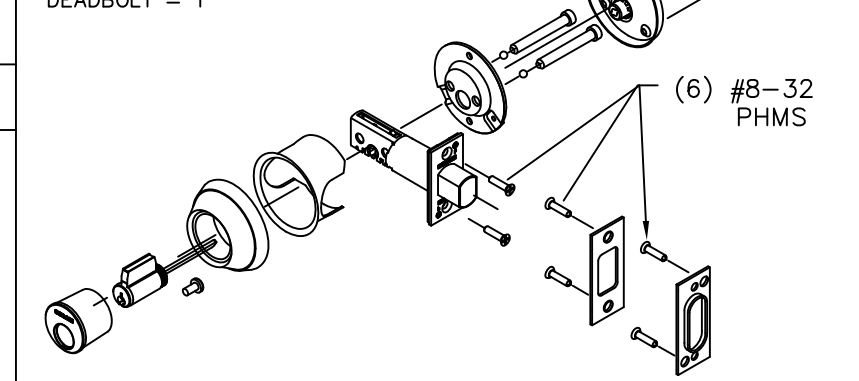
SCHLAGE L/LV 9000 SERIES MORTISE LOCKSET WITHOUT DEADBOLT USED IN DOOR CONFIGURATIONS 14 & 15 (SEE SHT.1)



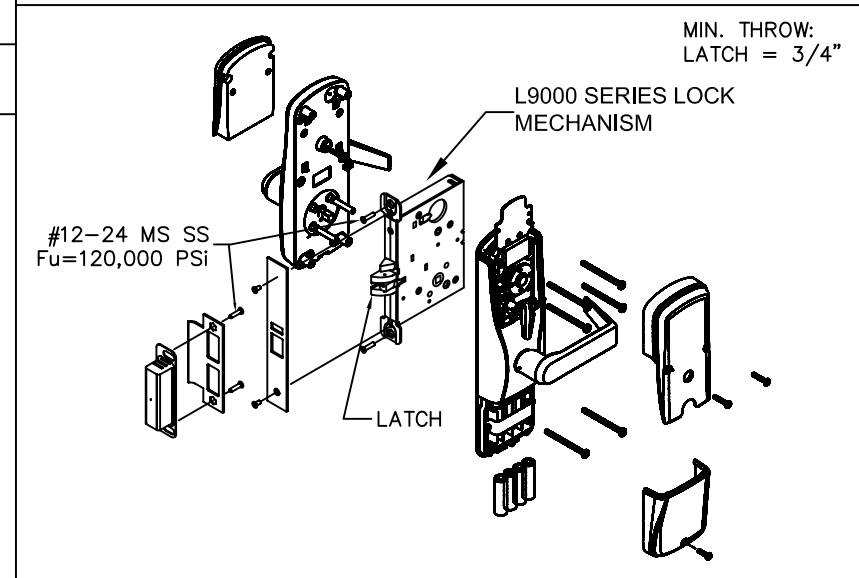
SCHLAGE L/LV 9400 SERIES MORTISE LOCKSET WITH DEADBOLT FUNCTION USED IN DOOR CONFIGURATION 1 (SEE SHT.1)



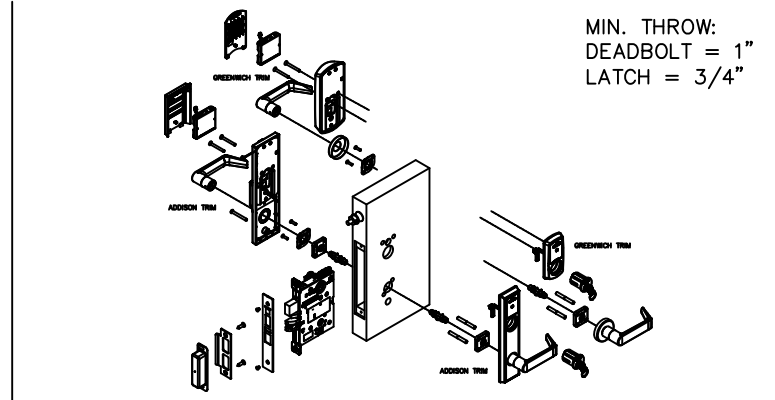
FALCON M/MA-SERIES MORTISE LOCKSET WITH DEADBOLT FUNCTION USED IN DOOR CONFIGURATION 1 (SEE SHT.1)



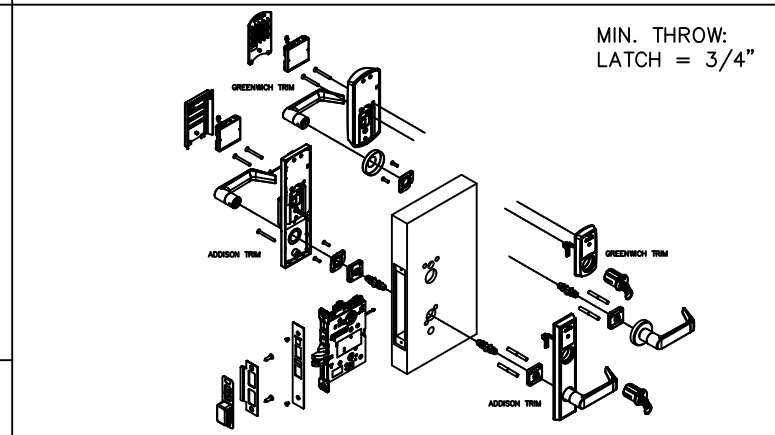
SCHLAGE AD-MS & CO-MS SERIES MORTISE LOCKSET WITHOUT DEADBOLT USED IN DOOR CONFIGURATIONS 14 & 15 (SEE SHT.1)



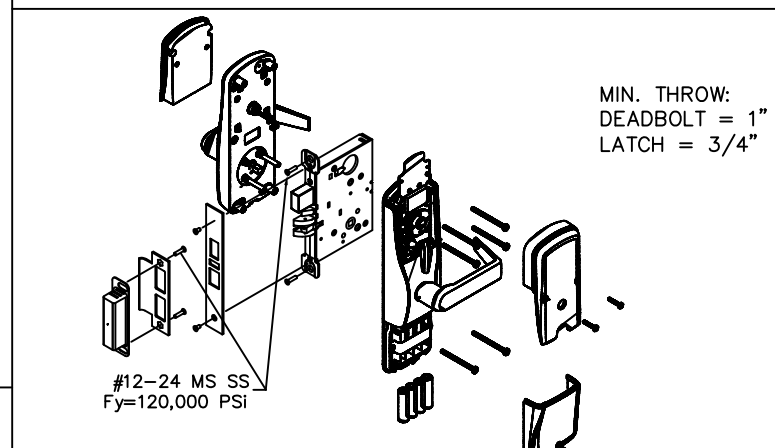
SCHLAGE AD-MS & CO-MS SERIES MORTISE LOCKSET WITHOUT DEADBOLT USED IN DOOR CONFIGURATIONS 14 & 15 (SEE SHT.1)



SCHLAGE LE-MD SERIES MORTISE LOCKSET WITH DEADBOLT FUNCTION USED IN DOOR CONFIGURATION 1 (SEE SHT.1)



SCHLAGE LE-MS SERIES MORTISE LOCKSET WITHOUT DEADBOLT USED IN DOOR CONFIGURATIONS 14 & 15 (SEE SHT.1)

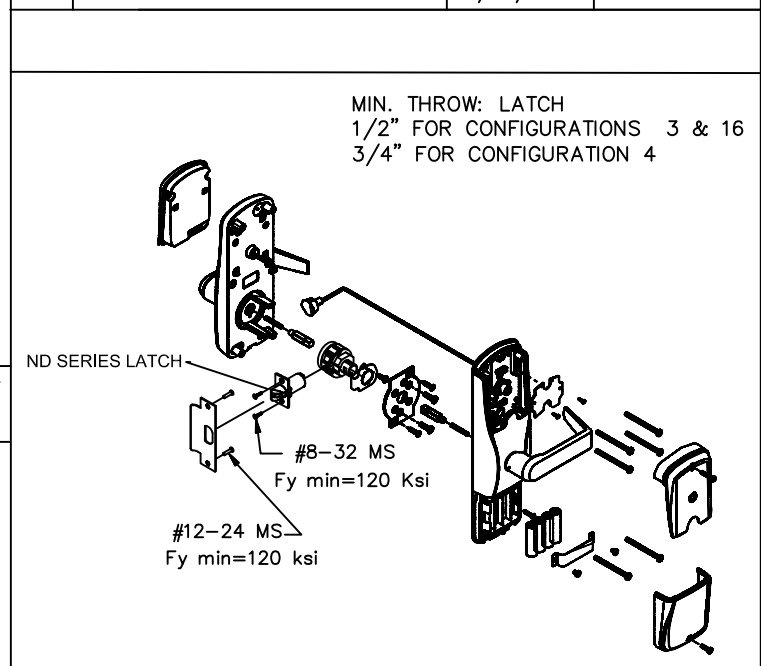


SCHLAGE AD-MD & CO-MD SERIES MORTISE LOCKSET W/ DEADBOLT USED IN DOOR CONFIGURATION 1 (SEE SHT.1)

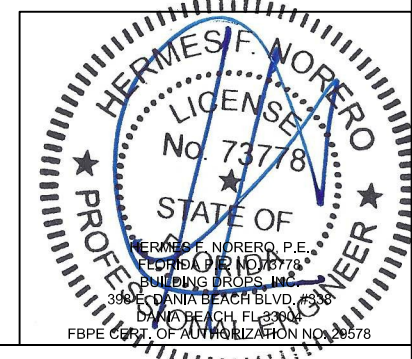
NOTE:
1. FIRE RATINGS ARE NOT PART OF THIS APPROVAL AND ARE TO BE REVIEWED BY THE BUILDING OFFICIAL
2. ELECTRIFIED FUNCTIONS APPROVED, BUT NOT SHOWN ABOVE

BEND RADIUS		SCHLAGE LOCK COMPANY, LLC 11819 N. PENNSYLVANIA STREET CARMEL, IN 46032	
THIRD ANGLE PROJECTION		TITLE: STEELCRAFT H SERIES SINGLE FLUSH OUTSWING COMMERCIAL STEEL DOORS WITH AND WITHOUT PANIC EXIT DEVICES	
DRAWN YMF	DATE 05/20/07	HARDWARE OPTIONS FOR FLUSH SINGLE DOORS.	
CHECKED		SIZE FLAT	DWG NO. IRFS07
APPROVED		SCALE: NTS	AUTOCAD
ENG. APPVL JPD	10/11/07	SHEET 10 of 14	

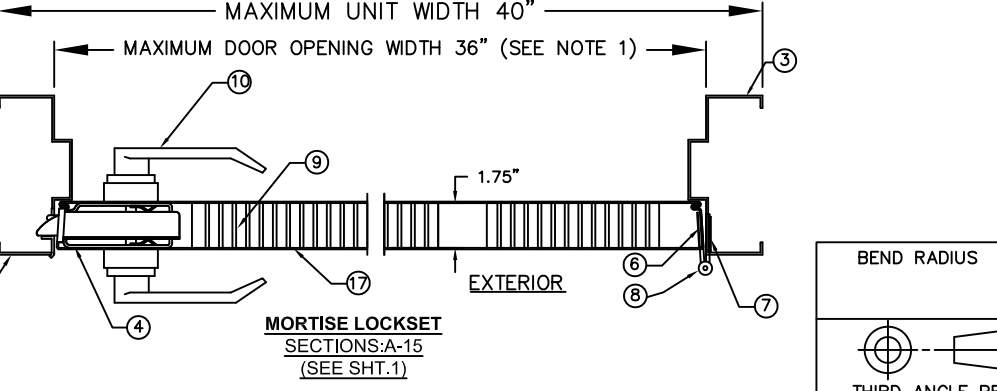
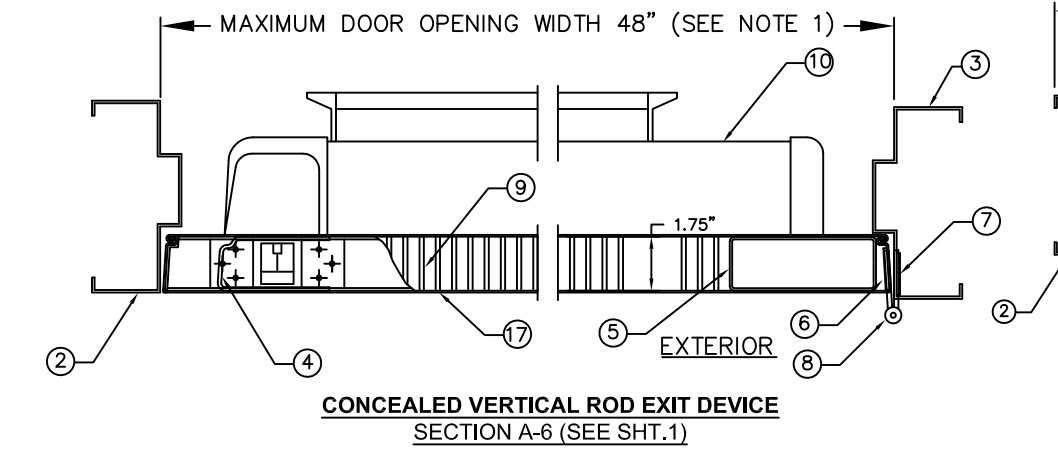
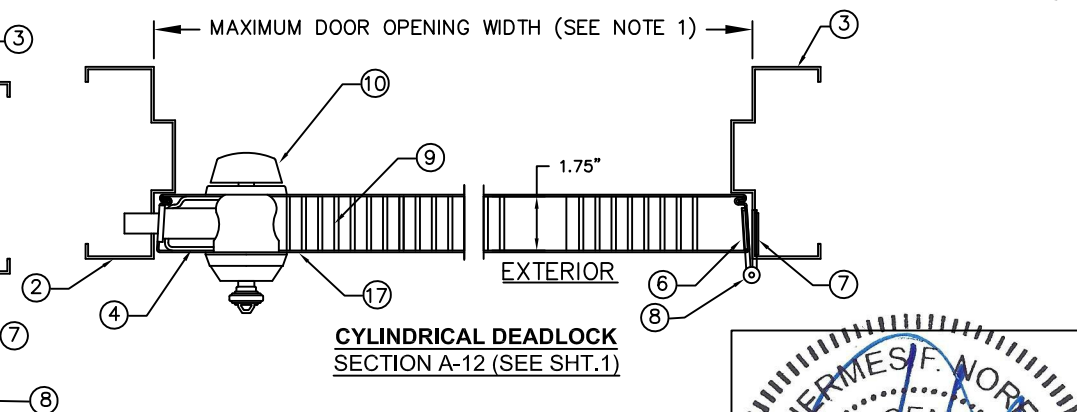
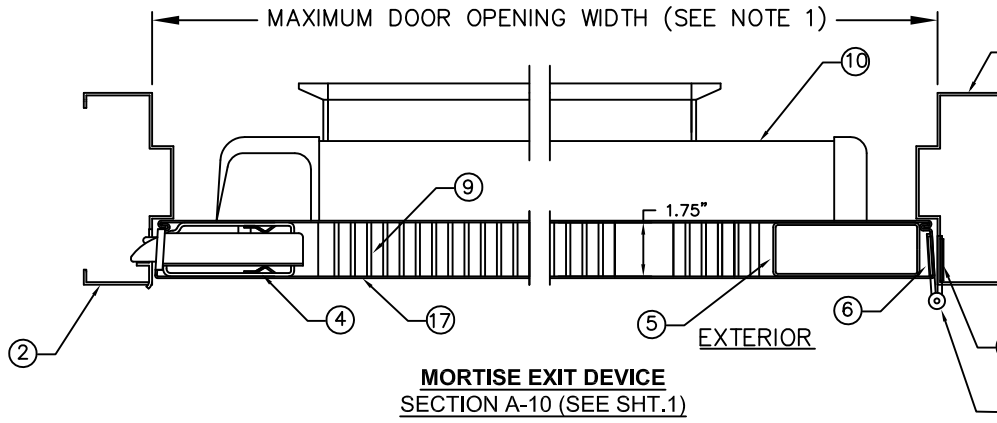
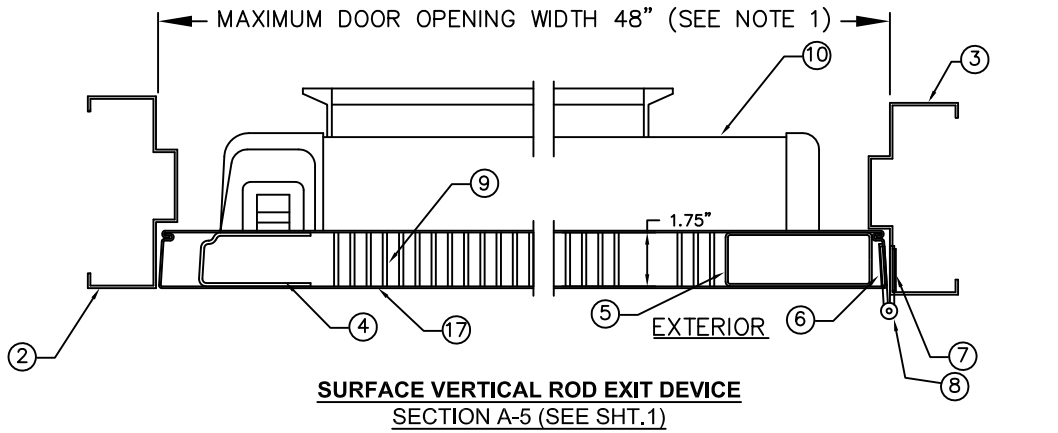
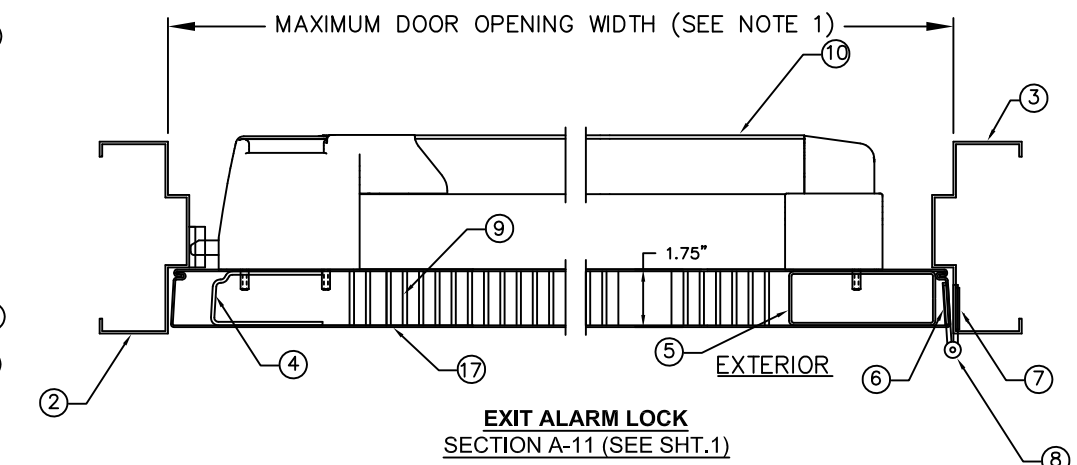
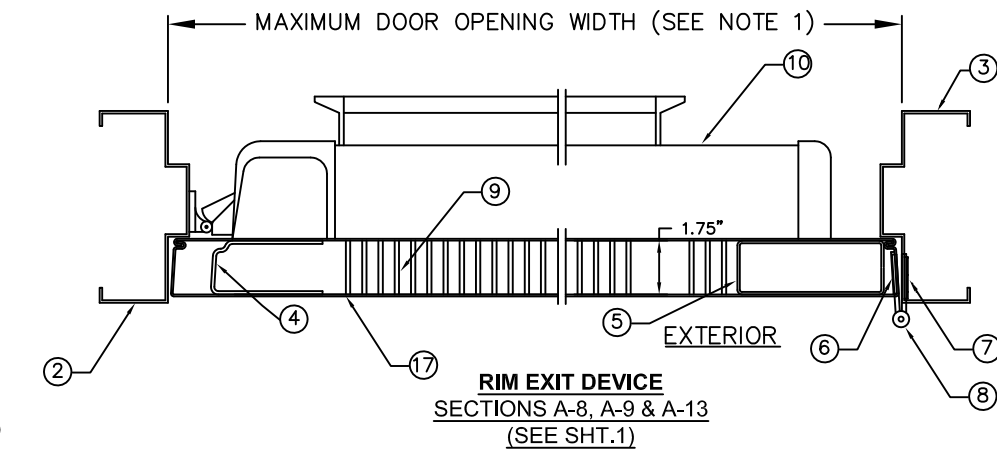
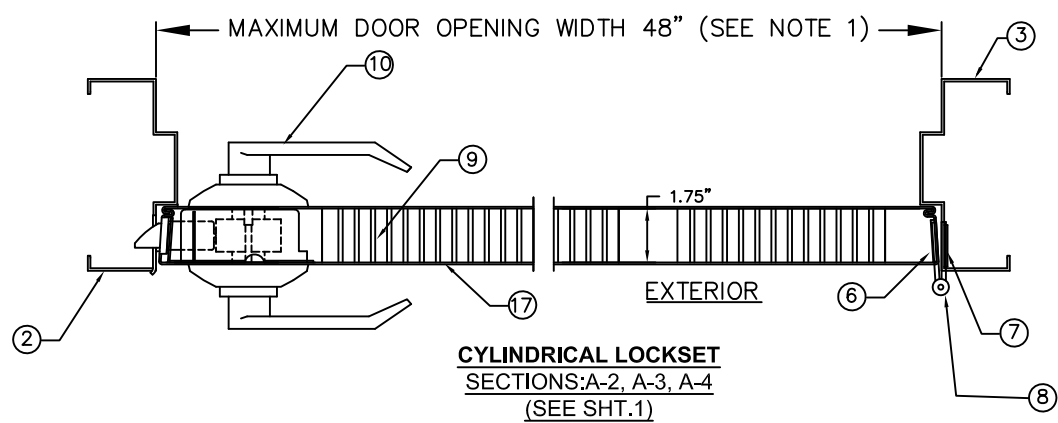
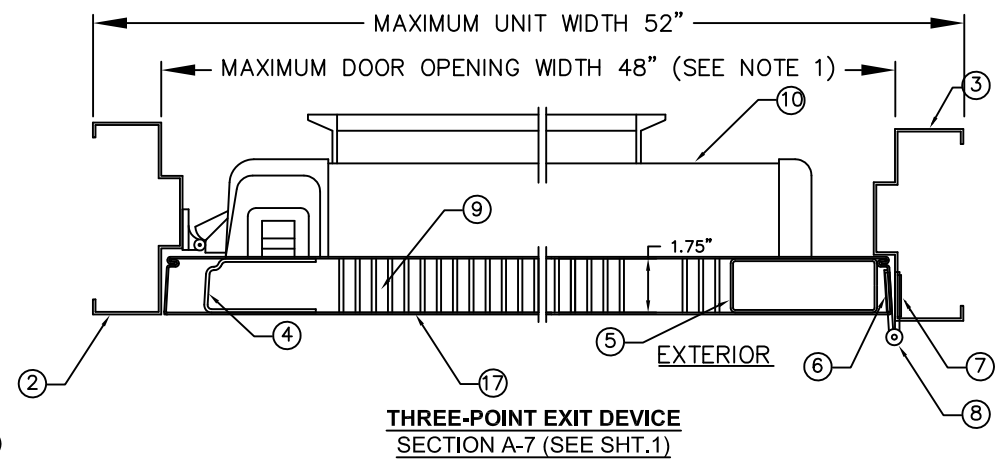
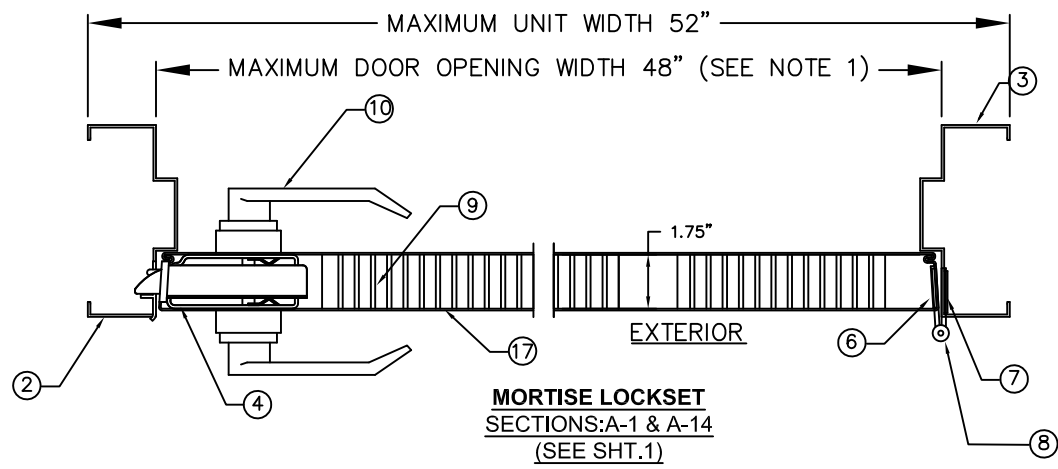
REVISIONS				
LTR	DESCRIPTION	DATE	APPROVED	
B	REVISED DWG	RAP	10/11/07	
C	REVISED DWG	RAP	12/10/07	
D	REVISED DWG	YMF	01/08/08	
E	REVISED DWG	YMF	04/08/08	
F	REVISED DWG	YMF	06/03/08	
G	REVISED DWG	YMF	03/03/09	
H	REVISED DWG	YMF	04/07/10	
J	REVISED NAME	JPD	11/01/13	
K	REVISED DWG	JPD	02/01/15	
L	ENGINEER CHANGE	AM	12/01/16	
N	REVISED DWG	JPD	07/18/18	



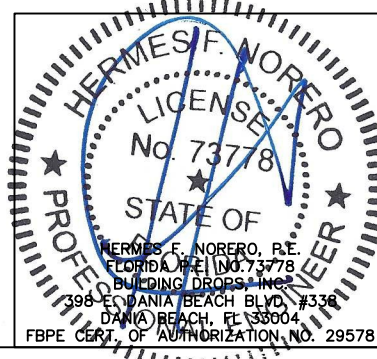
SCHLAGE AD-CY & CO-CY SERIES CYLINDRICAL LOCKSET USED IN DOOR CONFIGURATIONS 3 & 4 (SEE SHT.1)

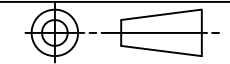


REV	N
-----	---



REVISIONS				
LTR	DESCRIPTION	DATE	APPROVED	
D	REVISED DWG	YMF	12/10/07	
E	REVISED DWG	YMF	04/08/08	
F	REVISED DWG	YMF	06/03/08	
G	REVISED DWG	YMF	03/04/09	
H	REVISED DWG	YMF	04/07/10	
J	REVISED NAME	JPD	11/01/13	
K	ENGINEER CHANGE	AM	12/01/16	
N	REVISED DWG	JPD	07/18/18	



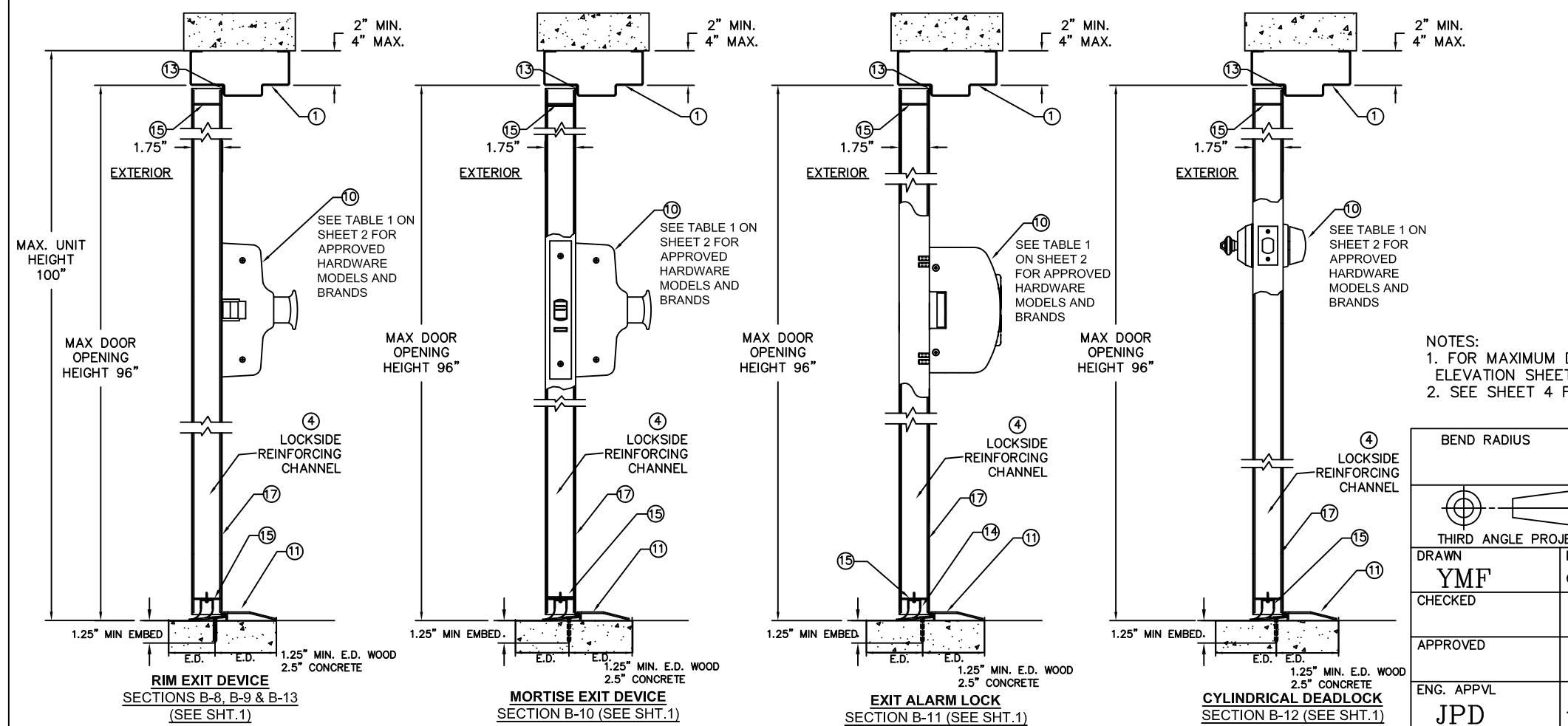
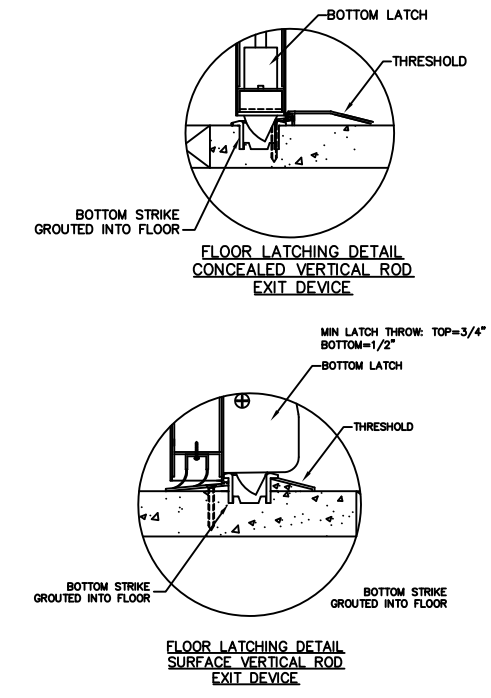
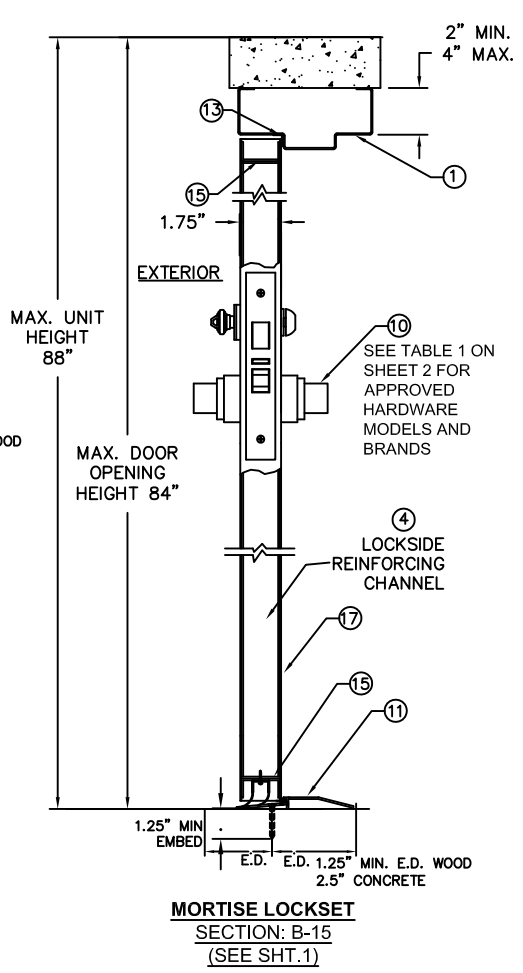
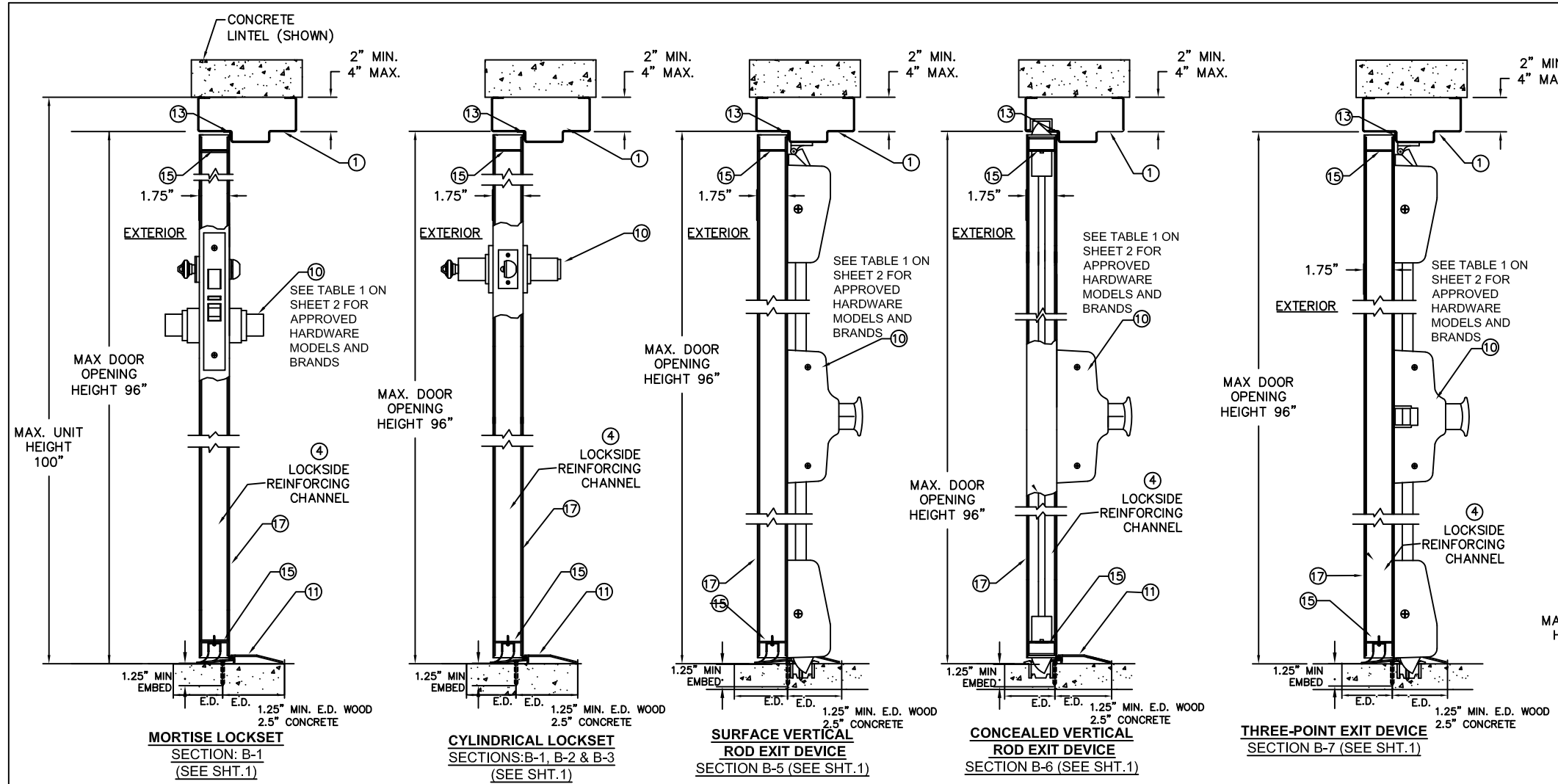
BEND RADIUS		SCHLAGE LOCK COMPANY, LLC 11819 N. PENNSYLVANIA STREET CARMEL, IN 46032			
					
THIRD ANGLE PROJECTION		TITLE: STEELCRAFT H SERIES SINGLE FLUSH OUTSWING COMMERCIAL STEEL DOORS WITH AND WITHOUT PANIC EXIT DEVICES HORIZONTAL CROSS SECTIONS FOR FLUSH SINGLE DOORS.			
DRAWN YMF	DATE 05/20/007				
CHECKED		SIZE	FLAT	DWG NO. IRFS07	REV N
APPROVED		SCALE:	NTS	AUTOCAD	SHEET 11 of 14
ENG. APPVL JPD	10/11/07				

NOTES:

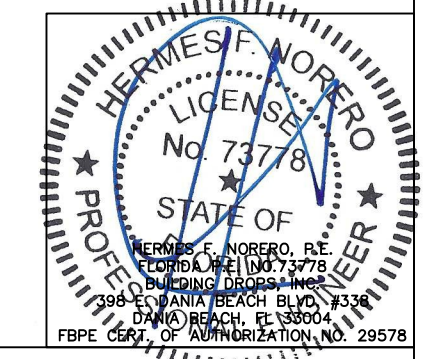
1. FOR MAXIMUM OPENING SIZE SEE TABLE 1 ON SHEETS 1, 2, 3, 11 & 12.
2. SINGLE OUTSWING DOORS, SEE SHEET 4 FOR INSTALLATION INFORMATION.

REVISIONS

LTR	DESCRIPTION	DATE	APPROVED
E	REVISED DWG	YMF 04/08/08	
F	REVISED DWG	YMF 06/03/08	
G	REVISED DWG	YMF 03/04/09	
H	REVISED DWG	YMF 04/07/10	
J	REVISED NAME	JPD 11/01/13	
K	REVISED DWG	JPD 02/01/15	
L	ENGINEER CHANGE	AM 12/01/16	
N	REVISED DWG	JPD 07/18/18	



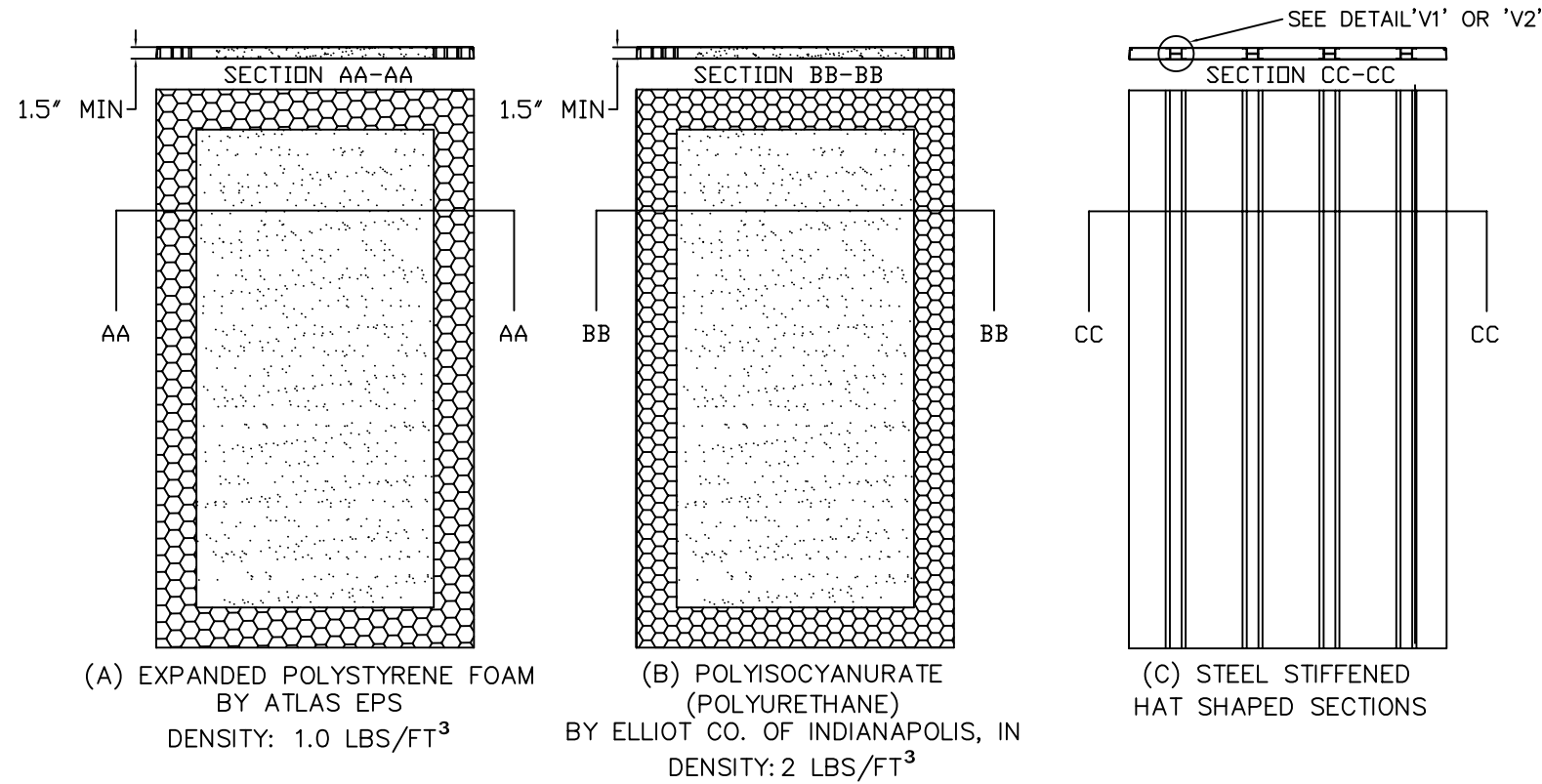
NOTES:
 1. FOR MAXIMUM DOOR & UNIT OPENING SIZES SEE ELEVATION SHEET 1 AND TABLE 1 ON SHEET 2 AND SHEETS 11 & 12.
 2. SEE SHEET 4 FOR THRESHOLD AND ANCHOR INSTALLATION DETAILS.



BEND RADIUS			
THIRD ANGLE PROJECTION			
DRAWN	YMF	DATE	05/20/07
CHECKED			
APPROVED			
ENG. APPVL	JPD	10/11/07	
SCHLAGE LOCK COMPANY, LLC 11819 N. PENNSYLVANIA STREET CARMEL, IN 46032			
TITLE: STEELCRAFT H SERIES SINGLE FLUSH OUTSWING COMMERCIAL STEEL DOORS WITH AND WITHOUT PANIC EXIT DEVICES VERTICAL CROSS SECTIONS FOR FLUSH SINGLE DOORS.			
SIZE	FLAT	DWG NO.	IRFS07
SCALE:	NTS	AUTOCAD	SHEET 12 of 14
REV	N		

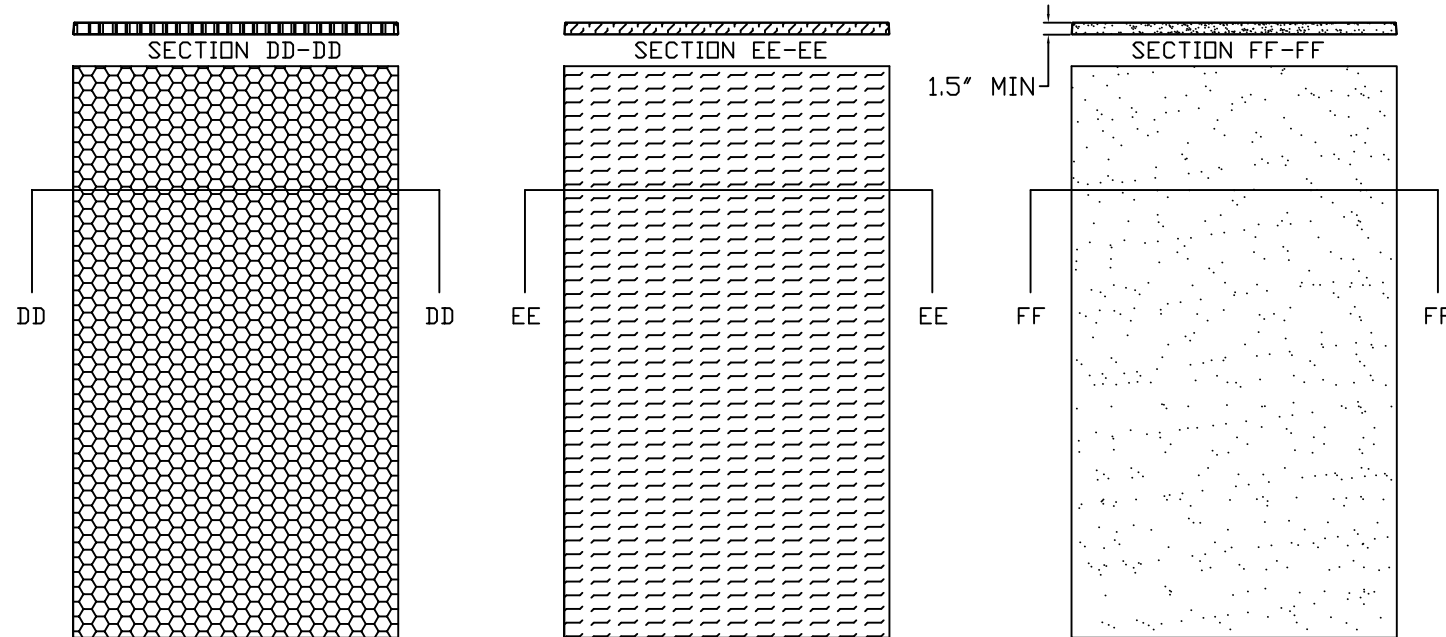
REVISIONS

LTR	DESCRIPTION	DATE	APPROVED
A	APPROVAL DWG	JPD 02/03/14	
B	REVISED DWG	JPD 02/01/15	
C	REVISED DWG	JPD 06/30/15	
D	ENGINEER CHANGE	AM 12/01/16	
N	REVISED DWG	JPD 07/18/18	



(A) EXPANDED POLYSTYRENE FOAM BY ATLAS EPS DENSITY: 1.0 LBS/FT³

(B) POLYISOCYANURATE (POLYURETHANE) BY ELLIOT CO. OF INDIANAPOLIS, IN DENSITY: 2 LBS/FT³

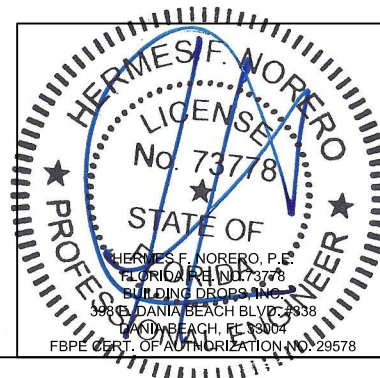


(D) HONEYCOMB KRAFT PAPER.

(E) TEMPERATURE RISE CORE MINERAL FIBER BOARD DENSITY: 17±1.5 LBS/FT³ PYROPHOBIC PSL P25C-60 CORE OR MARSHFIELD DOOR SYSTEMS CALCIUM SILICATE MINERAL CORE

(F) EXPANDED POLYSTYRENE FOAM BY ATLAS EPS DENSITY: 1.0 LB/FT³ OR POLYISOCYANURATE (POLYURETHANE) BY ELLIOT CO. OF INDIANAPOLIS, IN DENSITY: 2 LBS/FT³

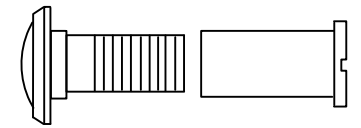
NOTES:
1. CORE MATERIAL SHOWN WITHOUT CUTOUTS FOR REINFORCEMENTS



BEND RADIUS		SCHLAGE LOCK COMPANY, LLC 11819 N. PENNSYLVANIA STREET CARMEL, IN 46032		
THIRD ANGLE PROJECTION		TITLE: STEELCRAFT H SERIES SINGLE FLUSH OUTSWING COMMERCIAL STEEL DOORS WITH AND WITHOUT PANIC EXIT DEVICES		
DRAWN JPD	DATE 02/03/14	DOOR CORE OPTIONS		
CHECKED		SIZE	FLAT	DWG NO. IRFS07
APPROVED		SCALE:	NTS	AUTOCAD
ENG. APPVL				SHEET 13 of 14

REV
N

REVISIONS			
LTR	DESCRIPTION	DATE	APPROVED
A	APPROVAL DWGS.	09/05/13	
B	REVISED	02/01/15	
C	ENGINEER CHANGE	12/01/16	
N	REVISED	07/18/18	



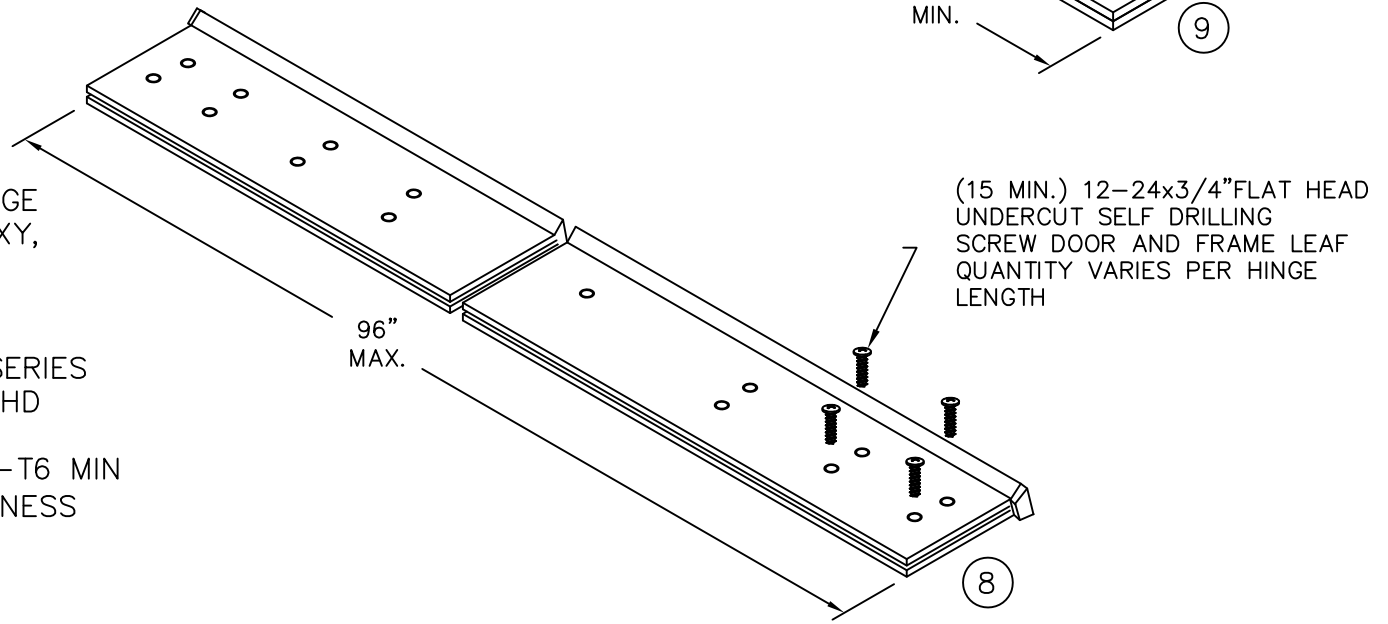
24 IVES 698/U698 DOOR VIEWER
APPLICATION LIMITED TO +/- 75 PSF
DESIGN PRESSURE OR LESS

BUTT HINGE
4.5" X 4.5" STD. WT. MIN.
IVES 5BB1/3CB1
STANLEY FBB179/1900
HAGER BB1279
.134" MIN. THICKNESS
Fy MIN. = 36ksi

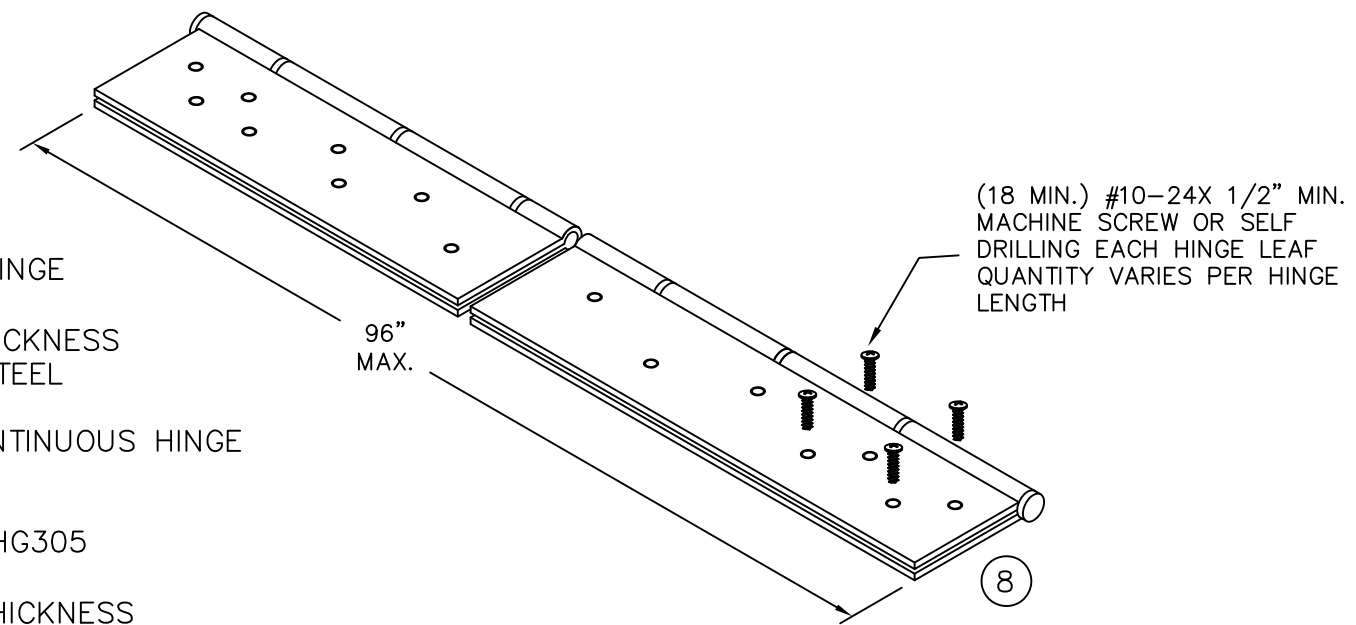
#12-24 MACHINE SCREWS

4.5" MIN.

9

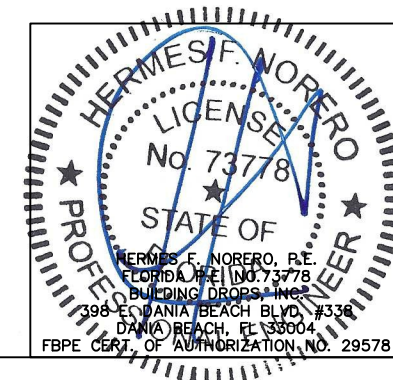


CONTINUOUS HINGE
IVES 112HD, 112XY,
224HD & 224XY
STANLEY 661HD
SELECT SL11HD
PEMKO FM_HD SERIES
HAGER 780-224HD
ABH A240HD
ALUMINUM 6036-T6 MIN
.110" MIN. THICKNESS



STEEL CONTINUOUS HINGE
IVES 600
.075 MIN. (14GA.) THICKNESS
1012 COLD ROLLED STEEL
Fy MIN. 45ksi
STAINLESS STEEL CONTINUOUS HINGE
IVES 700, 700CS
HAGER 790-900
MARKAR FM-300 & HG305
ABH A500
.075" MIN. (14GA.) THICKNESS
304 STAINLESS STEEL
Fy MIN. 31ksi

CONTINUOUS HINGE NOTES:
1. QUANTITY OF SCREWS VARIES PER HINGE LENGTH, MANUFACTURER AND MODEL NUMBER
2. SCREW SPACING VARIES PER HINGE LENGTH, MANUFACTURER AND MODEL NUMBER
3. INSTALL HINGES PER THE MANUFACTURERS INSTALLATION INSTRUCTIONS



BEND RADIUS		SCHLAGE LOCK COMPANY, LLC 11819 N. PENNSYLVANIA STREET CARMEL, IN 46032	
THIRD ANGLE PROJECTION		TITLE: STEELCRAFT H SERIES SINGLE FLUSH OUTSWING COMMERCIAL STEEL DOORS WITH AND WITHOUT PANIC EXIT DEVICES	
DRAWN JPD	DATE 02/03/14	HINGE AND VIEWER OPTIONS	
CHECKED			
APPROVED		SIZE FLAT	DWG NO. IRFS07
ENG. APPVL		SCALE: NTS	AUTOCAD
		SHT 14 OF 14	